

VRF SMMSu R410a: MMY - MUP1201HT8P-E

STAND ALONE

- Single module from 8 to 24HP.
- Operating conditions from -25°C to +52°C.
- Up to 128 indoor units connected per system.
- New A3 twin rotary compressor and a totally redesigned chassis.
- Up to 500m total piping length with 100m from outdoor to the farthest indoor unit.



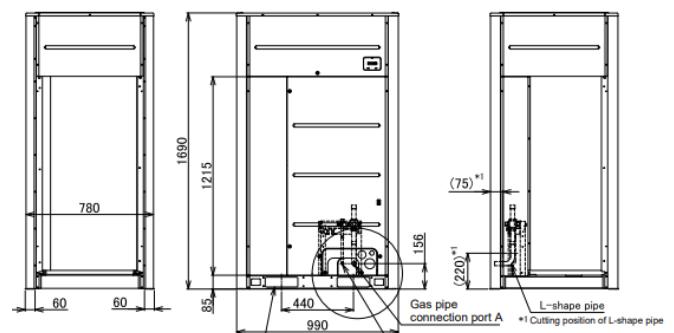
Hi - Res Image

Performance & Outdoor Data			
Capacity Range		HP	12
Maximum Number of Indoor Units		QTY	27
Cooling Capacity		kW	33.5
Heating Capacity		kW	33.5
Operating Range	Cooling	°C	-10.0 to 52.0
	Heating		-25.0 to 15.5
Cooling	Power Consumption	kW	10.34
	EER/SEER/Energy Efficiency Class (or nsc %)		3.24/7.32/289.8
Heating	Power Consumption	kW	7.77
	COP/SCOP/Energy Efficiency Class (or nsc(A) %)		4.31/4.75/187.0
Fan(s)	Standard Air Flow H	l/s	3250
	Standard Air Flow H	m ³ /h	11700
	External Static Pressure	Pa	80
Sound	Pressure Level C/H	dB(A)	58/62
	Power Level C/H	dB(A)	79/81
Unit(s)	Height x Width x Depth	mm	1690 x 990 x 780
	Weight	kg	228
Pipe Connections	Refrigerant Base Charge	kg	6
	Suction Gas Pipe Brazing	inch	1 1/8
	Liquid Pipe Flare	inch	1/2
	Equivalent Length	m	210
	Real Length	m	170
	Total Pipe Length (Liquid Line Real Length)	m	500
	Length To First Branch	m	100
	Equivalent Length Of Outdoor Unit Connecting Pipe	m	10
Maximum	Real Length Of Indoor Unit Connecting Piping	m	30
	Equivalent Length Between Branches	m	50
	Height Difference Outdoor Higher Than Indoor Units	m	70 (110*)
	Height Difference Outdoor Lower Than Indoor Units	m	40 (110*)
	Height Difference Between Indoor Units	m	40
	Height Difference Between Outdoor Units	m	5
Electrical	Voltage Range Minimum/Maximum	V	342/456
	Electrical Characteristic Running Current Cooling/Heating	A	16.00/12.10
	Power Supply Wiring Starting Current	A	Soft Start
	Power Supply	V/ph/Hz	380-415/3/50
	Suggested Fused Supply(s)	A	32

*All Accessories / Controls

Related items:

- [Full specification](#)
- [BIM files](#)
- [CAD files](#)
- [Refrigerant cycle](#)
- [Dimensional drawing](#)
- [Wiring diagram](#)
- [Noise curve data](#)
- [Installation manual](#)



Cool Designs Ltd

Raising the Standards in Air Conditioning Distribution