


BI-FLOW: RAS - B18J2FVG-E

- Easily blends into any decor.
- Wi-Fi available when utilising adapter.
- Compact design suitable for under window ledges.
- Floor mounted design to ensure perfect air distribution.
- Provides optimum comfort with A++ in heating and cooling.



Hi - Res Image 

Retail Price (interactive icons):



UK



ROI



CODE		50	
Performance			
Indoor Unit		RAS-	B18J2FVG-E
Outdoor Unit		RAS-	18J2AVSG-E1
Nominal	Cooling Capacity	kW	5.0
	Heating Capacity	kW	6.0
	EER/COP	W/W	2.98/2.93
UK	Cooling Total/Sensible	kW	4.40/3.56
	Heating	kW	3.43
Cooling EN14825	Range Min. - Max.	kW	1.2 - 5.6
	Power Input	kW	1.68
	Pdesign	kW	5.0
	SEER/Energy Efficiency Class		6.80/A++
	Seasonal Energy Consumption	kWh/a	257
Heating EN14825	Range Min. - Max.	kW	1.3 - 6.3
	Power Input	kW	2.05
	Pdesign	kW	4.0
	SCOP/Energy Efficiency Class		4.60/A++
	Seasonal Energy Consumption	kWh/a	1217

Indoor Data

Air Flow	High - Low	l/s	183 - 101
	High - Low	m3/h	660 - 366
Sound	Pressure High - Low	dB(A)	47 - 31
	Power High - Low	dB(A)	61 - 46
Unit	Height x Width x Depth	mm	600 x 700 x 220
	Weight	kg	16
Pipe Connection	Flare Connections (gas - liquid)	inch	1/2" - 1/4"
	Drain Pipe Connection OD/ID	mm	16/14
Remote controller			WH-TA 12LE

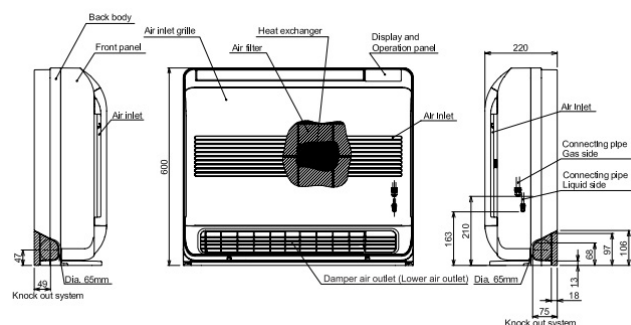
Accessories

RB-1301-E	Refrigerant Leak detection sensor
RB-N106S-G	Wireless adapter with Cable

*All [Accessories / Controls](#)

Related Items:

- [BIM Files](#)
- [CAD Files](#)
- [Full Specification](#)
- [Airflow/ Fan Curve](#)
- [Dimensional Drawing](#)
- [Wiring Diagram](#)
- [Installation Manual](#)
- [Owners Manual](#)



Cool Designs Ltd

Raising the Standards in Air Conditioning Distribution