


## BI-FLOW: RAS - B10J2FVG-E

- Easily blends into any decor.
- Wi-Fi available when utilising adapter.
- Compact design suitable for under window ledges.
- Floor mounted design to ensure perfect air distribution.
- Provides optimum comfort with A++ in heating and cooling.



Hi - Res Image 

Retail Price (interactive icons):



UK



ROI



CODE		25	
<b>Performance</b>			
<b>Indoor Unit</b>		<b>RAS-</b>	<b>B10J2FVG-E</b>
<b>Outdoor Unit</b>		<b>RAS-</b>	<b><u>10J2AVSG-E1</u></b>
Nominal	Cooling Capacity	kW	2.5
	Heating Capacity	kW	3.2
	EER/COP	W/W	4.24/3.90
UK	Cooling Total/Sensible	kW	2.44/2.03
	Heating	kW	1.90
Cooling EN14825	Range Min. - Max.	kW	0.95 - 3.2
	Power Input	kW	0.59
	Pdesign	kW	2.5
	SEER/Energy Efficiency Class		7.20/A++
	Seasonal Energy Consumption	kWh/a	121
Heating EN14825	Range Min. - Max.	kW	0.85 - 4.40
	Power Input	kW	0.82
	Pdesign	kW	2.5
	SCOP/Energy Efficiency Class		4.70/A++
	Seasonal Energy Consumption	kWh/a	744

### Indoor Data

Air Flow	High - Low	l/s	136 - 71
	High - Low	m3/h	492 - 258
Sound	Pressure High - Low	dB(A)	39 - 23
	Power High - Low	dB(A)	54 - 38
Unit	Height x Width x Depth	mm	600 x 700 x 220
	Weight	kg	16
Pipe Connection	Flare Connections (gas - liquid)	inch	3/8" - 1/4"
	Drain Pipe Connection OD/ID	mm	16/14
Remote controller			WH-TA 12LE

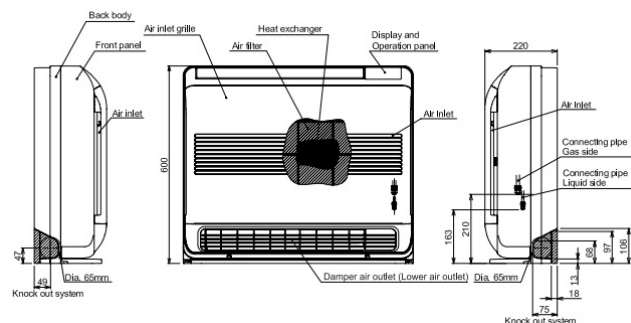
### Accessories

<a href="#">RB-1301-E</a>	Refrigerant Leak detection sensor
<a href="#">RB-N106S-G</a>	Wireless adapter with Cable

\*All [Accessories / Controls](#)

### Related Items:

- [BIM Files](#)
- [CAD Files](#)
- [Full Specification](#)
- [Airflow/ Fan Curve](#)
- [Dimensional Drawing](#)
- [Wiring Diagram](#)
- [Installation Manual](#)
- [Owners Manual](#)



**Cool Designs Ltd**

Raising the Standards in Air Conditioning Distribution