

## Toshiba Air Conditioning Data Sheet

### Wall Mounted RAV-HM901KRTP-E

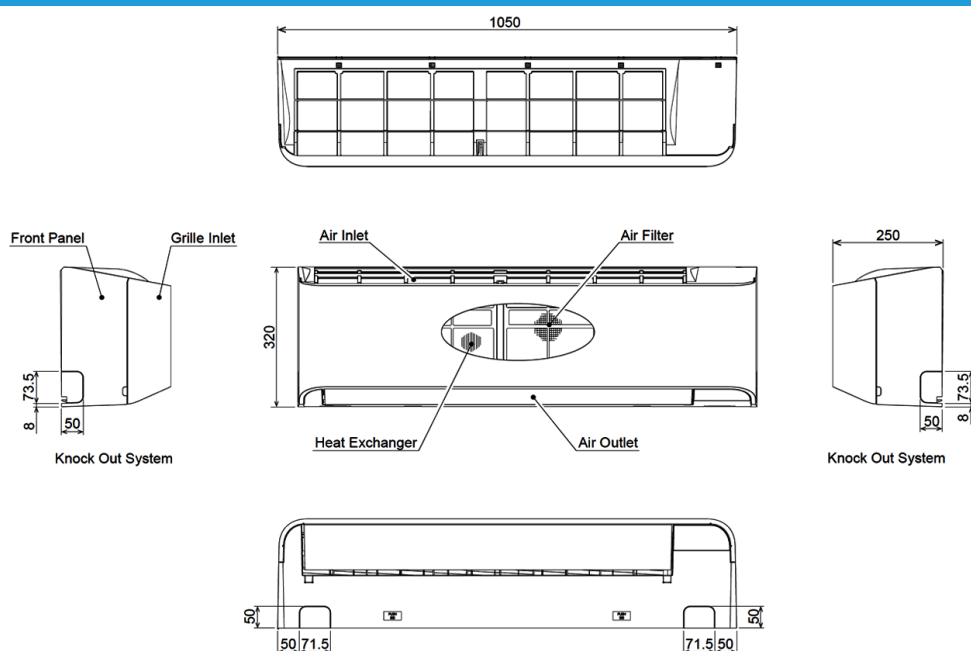
#### Features

- Run/Standby available with U series remote control (rotation/backup)
- Self-cleaning feature to prevent mould formation on the heat exchanger coils
- Uses Toshiba TU2C-Link control platform (backward compatible)
- R32 Refrigerant
- Auto louver mode allows optimum and uniform air distribution
- Wireless remote control with pre-set functions; hi-power mode, quiet mode, comfort sleep, eco-mode
- Replacement technology' enabling the re-use of existing R410A, R22 or R407C pipework
- Power to outdoor, please see condensing unit sheet for supply requirements



Model Reference		RAV-HM901KRTP-E	
Cooling	Nominal Cooling Capacity	kW	8.0
	UK Cooling Total/Sensible	kW	7.83/6.35
	Power Input (rated)	kW	2.67
Energy Efficiency Class (connected to standard DI outdoor)		SEER/Energy Efficiency Class	6.1/A++
Heating	Nominal Heating Capacity	kW	9.0
	UK Heating	kW	6.12
	Power Input	kW	2.90
Energy Efficiency Class (connected to standard DI outdoor)		SCOP/Energy Efficiency Class	4.1/A+
Air Flow	High - Medium - Low	l/s	328 - 253 - 189
	High - Medium - Low	m3/h	1180 - 910 - 680
Sound	Pressure High - Medium - Low	dB(A)	47 - 41 - 35
	Power High - Medium - Low	dB(A)	62 - 56 - 50
Unit	Height x Width x Depth	mm	320 - 1050 - 250
	Weight	kg	14
Pipe Connection	Flare Connections (gas - liquid)	inch	5/8 - 3/8

The electrical installation needs to meet current UK electrical regulations BS7671:2018+A2:2022 the 18th Edition of the IET regulations.  
Fuse sizes shown are for guidance only, cables and protective devices should be calculated using the MCA/MOCP details provided



Contact us for full details at  
[sales@cooldesignsstd.co.uk](mailto:sales@cooldesignsstd.co.uk)  
 or visit [www.cdweb.info](http://www.cdweb.info)



Raising the standards in Air Conditioning Distribution

Gateshead  
0191 5496964

Warrington  
01925 820000

Glasgow  
01355 234776