

Toshiba Air Conditioning Data Sheet

Wall Mounted RAV-HM561KRTP-E

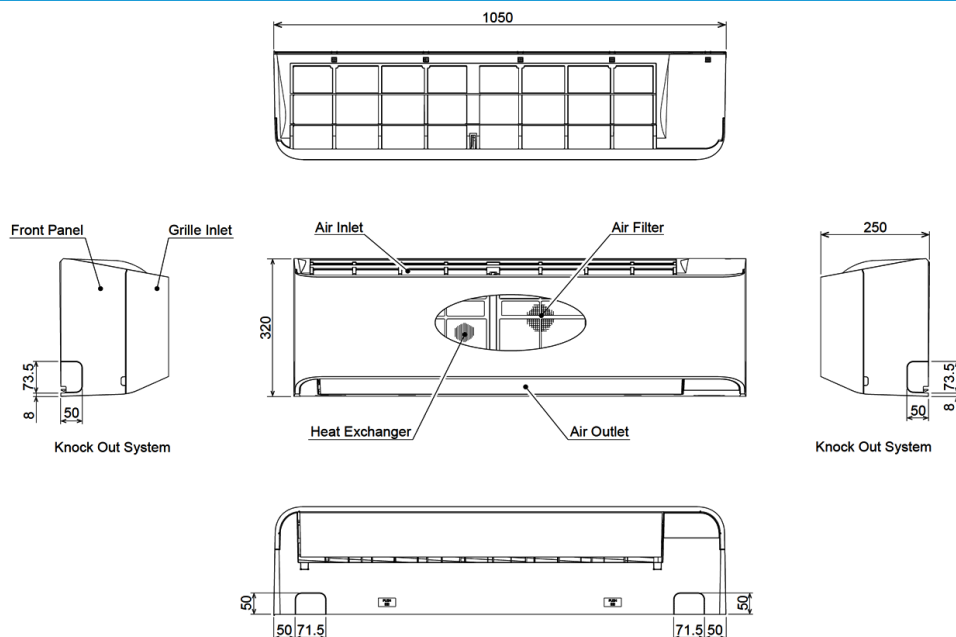
Features

- Run/Standby available with U series remote control (rotation/backup)
- Self-cleaning feature to prevent mould formation on the heat exchanger coils
- Suitable for single/twin/triple/quad connections
- Uses Toshiba TU2C-Link control platform (backward compatible)
- R32 Refrigerant
- Auto louver mode allows optimum and uniform air distribution
- Wireless remote control with pre-set functions; hi-power mode, quiet mode, comfort sleep, eco-mode
- Replacement technology' enabling the re-use of existing R410A, R22 or R407C pipework
- Power to outdoor, please see condensing unit sheet for supply requirements



Model Reference		RAV-HM561KRTP-E	
Cooling	Nominal Cooling Capacity	kW	5.0
	UK Cooling Total/Sensible	kW	4.75/3.61
	Power Input (rated)	kW	1.66
Energy Efficiency Class (connected to standard DI outdoor)		SEER/Energy Efficiency Class	6.19/A++
Heating	Nominal Heating Capacity	kW	5.3
	UK Heating	kW	3.79
	Power Input	kW	1.55
Energy Efficiency Class (connected to standard DI outdoor)		SCOP/Energy Efficiency Class	4.0 / A+
Air Flow	High - Medium - Low	l/s	267 - 231 - 189
	High - Medium - Low	m ³ /h	960 - 830 - 680
Sound	Pressure High - Medium - Low	dB(A)	42 - 39 - 36
	Power High - Medium - Low	dB(A)	57 - 54 - 51
Unit	Height x Width x Depth	mm	320 - 1050 - 250
	Weight	kg	14
Pipe Connection	Flare Connections (gas - liquid)	inch	1/2 - 1/4

The electrical installation needs to meet current UK electrical regulations BS7671:2018+A2:2022 the 18th Edition of the IET regulations. Fuse sizes shown are for guidance only, cables and protective devices should be calculated using the MCA/MOCP details provided



Contact us for full details at
sales@cooldesignsstd.co.uk
 or visit www.cdweb.info



Raising the standards in Air Conditioning Distribution

Gateshead
0191 5496964

Warrington
01925 820000

Glasgow
01355 234776