

Toshiba Air Conditioning Data Sheet

Classic Condensing Unit RAV-GV561ATP-E

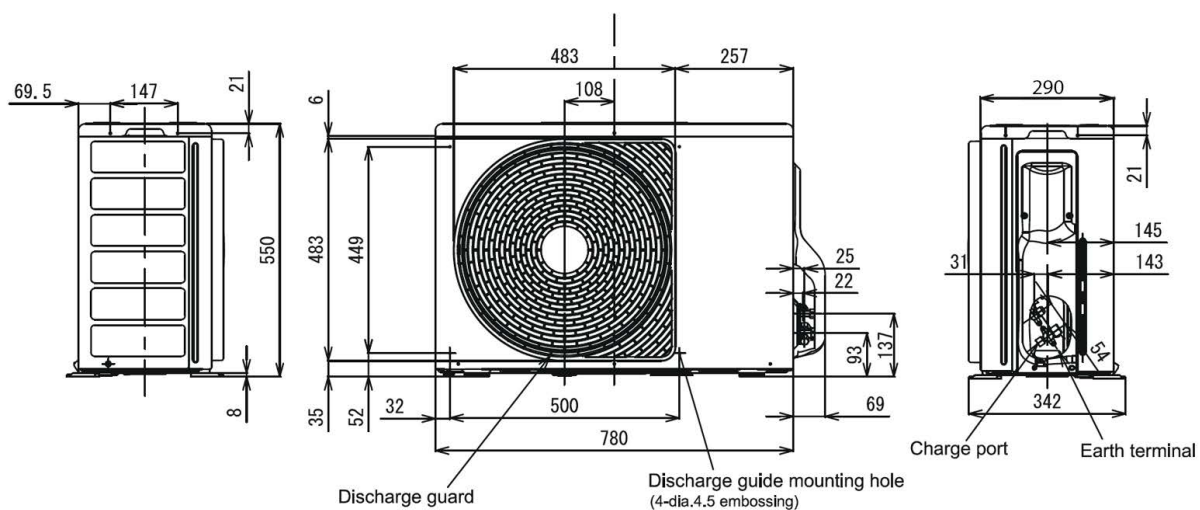
Features

- Compact single fan chassis
- Compatible with TU2C-Link control
- Available single and three phase
- Uses Toshiba TU2C-Link control platform (backward compatible)
- R32 Refrigerant
- Power Supply to Outdoor unit



Outdoor Unit		RAV-GV561ATP-E	
Cooling	Nominal Cooling Capacity	kW	5.0
	Min - Max	kW	1.5-5.6
Energy Efficiency Class	SEER/Energy Efficiency Class	(Cassette)	6.20/A++
Heating	Nominal Heating Capacity	kW	5.3
	Min - Max	kW	1.5-6.3
Energy Efficiency Class	SCOP/Energy Efficiency Class	(Cassette)	4.20/A+
Air Flow	Standard Air Flow	m ³ /h - l/s	2350 - 653
Sound	Pressure Cool - Heat	dB(A)	46 - 48
	Power Cool - Heat	dB(A)	63 - 65
Unit	Height x Width x Depth	mm	550 x 780 x 290
	Weight	kg	36
Pipe Connection	Flare Connections (gas - liquid)	inch	1/2 - 1/4
Pipe Length	Min - Max - Height (±)	M	5 - 30 - 20
Refrigerant	Type / kg / TeqCO ₂	kg	R32 / 0.9 / 0.6
	Charged length / additional	M / g	20 / 20
Electrical	Power supply/suggested fuse	V/ph/Hz-A	220-240/1/50, 220/1/60 - 16
	Run current - Max. (Cassette)	Amps	7.42
	Power outdoor to indoor		3 core + earth

The electrical installation needs to meet current UK electrical regulations BS7671:2018+A2:2022 the 18th Edition of the IET regulations. Fuse sizes shown are for guidance only, cables and protective devices should be calculated using the MCA/MOCP details provided



Contact us for full details at
sales@cooldesignsstd.co.uk
or visit www.cdwweb.info



Raising the standards in Air Conditioning Distribution

Gateshead
0191 5496964

Warrington
01925 820000

Glasgow
01355 234776