

Toshiba Air Conditioning Data Sheet

Classic Condensing Unit RAV-GV1601AT8P-E

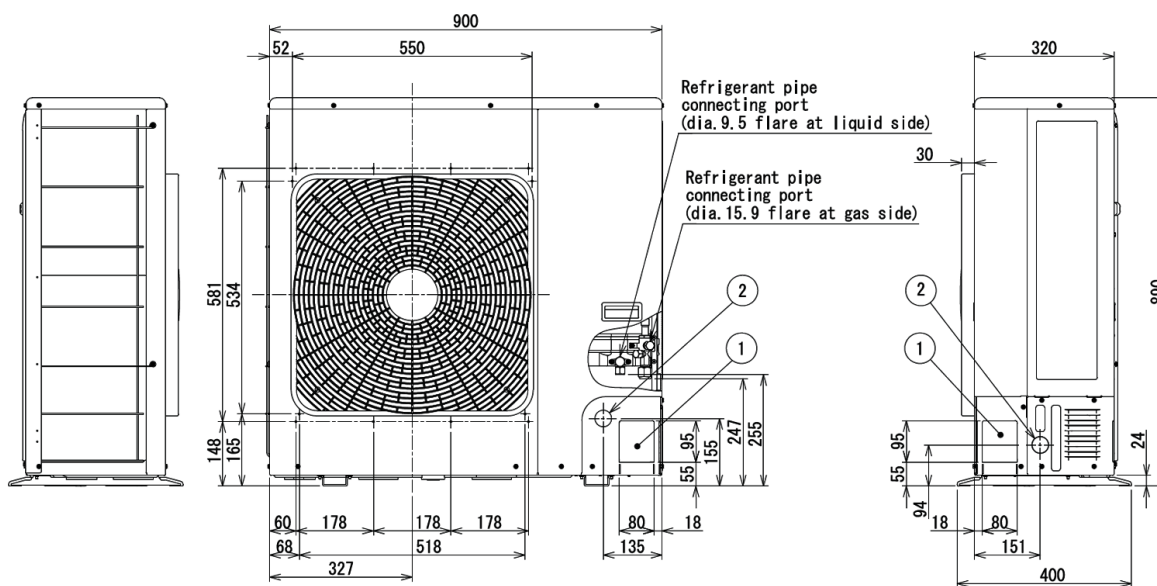
Features

- Compact single fan chassis
- Compatible with TU2C-Link control
- Available single and three phase
- Uses Toshiba TU2C-Link control platform (backward compatible)
- R32 Refrigerant
- Power Supply to Outdoor Unit



Outdoor Unit		RAV-GV1601AT8P-E	
Cooling	Nominal Cooling Capacity	kW	13.0
	Min - Max	kW	3.0-15.0
Energy Efficiency Class	SEER/Energy Efficiency Class	(Cassette)	5.90/-
Heating	Nominal Heating Capacity	kW	13.5
	Min - Max	kW	3.0-18.0
Energy Efficiency Class	SCOP/Energy Efficiency Class	(Cassette)	4.20/-
Air Flow		m ³ /h - l/s	5000 - 1389
Sound	Pressure Cool - Heat	dB(A)	58 - 60
	Power Cool - Heat	dB(A)	75 - 77
Unit	Height x Width x Depth	mm	890 x 900 x 320
	Weight	kg	63
Pipe Connection	Flare Connections (gas - liquid)	inch	5/8 - 3/8
Pipe Length	Min - Max - Height (±)	M	5 - 30 - 30
Refrigerant	Type / kg / TeqCO ₂	kg	R32 / 2.1 / 1.4
	Charged length / additional	M / g	30 / --
Electrical	Power supply/suggested fuse	V/ph/Hz-A	380-415/3/50-16
	Run current - Max. (Cassette)	Amps	11.5
	Power outdoor to indoor		3 core + earth

The electrical installation needs to meet current UK electrical regulations BS7671:2018+A2:2022 the 18th Edition of the IET regulations. Fuse sizes shown are for guidance only, cables and protective devices should be calculated in accordance with current regulations



Contact us for full details at
sales@cooldesignsstd.co.uk
 or visit www.cdtweb.info



Raising the standards in Air Conditioning Distribution

Gateshead
0191 5496964

Warrington
01925 820000

Glasgow
01355 234776

Rated conditions: Cooling : Indoor 27 degC Dry Bulb /19 degC Wet Bulb , Outdoor 35 degC Dry Bulb . Heating : Indoor 20 degC Dry Bulb , Outdoor 7 degC Dry Bulb / 6 degC WetBulb.
 Based on equivalent piping length of 7.5m and piping height difference of 0m. Data from Toshiba Air Conditioning April 2023.