

Toshiba Air Conditioning Data Sheet

Classic Condensing Unit

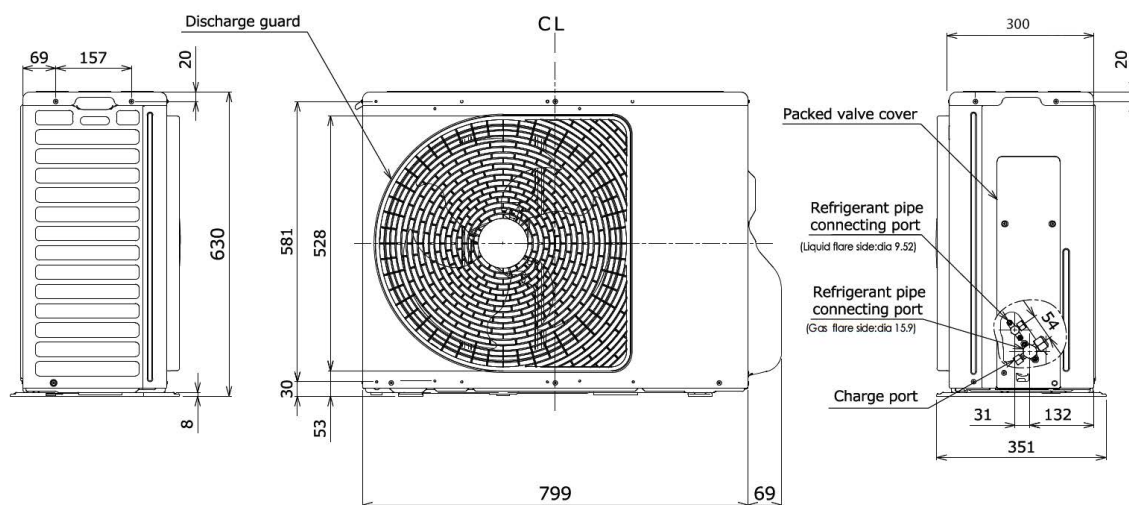
RAV-GV1101ATP-E

Features

- Compact single fan chassis
- Compatible with TU2C-Link control
- Available single and three phase
- Uses Toshiba TU2C-Link control platform (backward compatible)
- R32 Refrigerant
- Power Supply to Outdoor Unit

Outdoor Unit			RAV-GV1101ATP-E
Cooling	Nominal Cooling Capacity	kW	9.5
	Min - Max	kW	3.0-11.2
Energy Efficiency Class	SEER/Energy Efficiency Class	(Cassette)	6.00/A+
Heating	Nominal Heating Capacity	kW	10.0
	Min - Max	kW	3.0-13.0
Energy Efficiency Class	SCOP/Energy Efficiency Class	(Cassette)	4.00/A+
Air Flow	Standard Air Flow	m ³ /h - l/s	2900 - 800
Sound	Pressure Cool - Heat	dB(A)	51 - 53
	Power Cool - Heat	dB(A)	68 - 70
Unit	Height x Width x Depth	mm	630 x 800 x 300
	Weight	kg	45
Pipe Connection	Flare Connections (gas - liquid)	inch	5/8 -3/8
Pipe Length	Min - Max - Height (±)	M	5 - 30 - 30
Refrigerant	Type / kg / TeqCO ₂	kg	R32 / 1.9 / 1.3
	Charged length / additional	M / g	30 / --
Electrical	Power supply/suggested fuse	V/ph/Hz-A	220-240/1/50, 220/1/60 - 25
	Run current - Max. (Cassette)	Amps	14.76
	Power outdoor to indoor		3 core + earth

The electrical installation needs to meet current UK electrical regulations BS7671:2018+A2:2022 the 18th Edition of the IET regulations. Fuse sizes shown are for guidance only, cables and protective devices should be calculated using the MCA/MOCP details provided



Contact us for full details at
sales@cooldesignsstd.co.uk
 or visit www.cdtweb.info



Raising the standards in Air Conditioning Distribution

Gateshead
0191 5496964

Warrington
01925 820000

Glasgow
01355 234776