

AUXG45KRLB

Please visit our webstore for full product and technical documentation 

Unit Type	Circular Flow Cassette	
Remote Controller	Option	
Nominal Cooling Capacity (kW)	12.1	
Nominal Heating Capacity (kW)	13.5	
Height (mm)	288	
Width (mm)	840	
Depth (mm)	840	
Weight (kg)	29	
Grille	UTGUKYAW	
Grille Dimensions (HxWxD) (mm)	53 x 950 x 950	
Grille Weight (kg)	6	
Airflow Rate - Cooling - High (m3/h)	2000	
Airflow Rate - Heating - High (m3/h)	2000	
Sound Pressure Level - Cooling - High (dB(A))	46	
Sound Pressure Level - Cooling - Low (dB(A))	35	
Sound Pressure Level - Heating - High (dB(A))	46	
Sound Pressure Level - Heating - Low (dB(A))	35	
Sound Power Level - Cooling - High (dB(A))	60	
Sound Power Level - Heating - High (dB(A))	60	
Moisture Removal (l/h)	4.5	
Refrigerant Type (Global Warming Potential)	R32 (675)	
Liquid Pipe Size	3/8"	
Gas Pipe Size	5/8"	
Unit Power Supply	From Outdoor Unit	



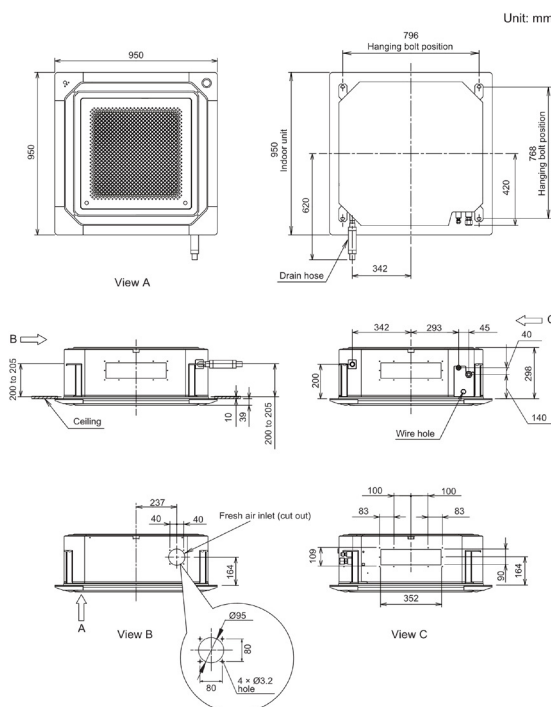
Document Downloads

- [Airflow - Fan Curve](#)
- [Controls & Accessories](#)
- [Dimensional Drawing](#)
- [Function Settings](#)
- [Inputs & Outputs](#)
- [Installation Manual](#)
- [Noise Curve](#)
- [Operation Manual](#)
- [Product Image](#)

- [Spare Parts List All Pages](#)
- [Specifications](#)
- [Wiring Diagram](#)

Related Items

- [AOYG45KATA](#) 12.1kW Economy Outdoor Unit - R32 Single Phase
- [AOYG45KQTA](#) 12.1kW Economy Outdoor Unit - R32 Three Phase
- [AOYG45KBTB](#) 12.1kW Standard Outdoor Unit - R32 Single Phase
- [AOYG45KRTA](#) 12.1kW Standard Outdoor Unit - R32 Three Phase
- [UTGUKYAW](#) 360 Cassette Grille Including Controller
- [UTYTF5XZ1](#) Wireless LAN interface
- [UTZVXRA](#) Fresh Air Intake Kit for Cassette
- [UTYRCRYZ1](#) Compact Simple Remote controller
- [UTYRVNYM](#) LCD Wired Remote Controller
- [UTYRHRY](#) Simple Remote Controller (without Master Control)
- [UTYRSRY](#) Simple Remote Controller (with Master Control)
- [UTYRSNYM](#) Simplified Wired Remote Controller
- [UTYSHZXC](#) Human Sensor for Circular Flow Cassette
- [UTYTERX](#) External switch controller
- [FJRCWIF1](#) IntesisHome Wireless LAN Adapter for Splits & VRF
- [UTYXCSX](#) External Input / Output PCB
- [UTZGXRA](#) External Input / output PCB Box
- [UTYLBTYC](#) Infra-Red Receiver Kit - 360 Cassettes
- [UTYXWZXZG](#) External Connect Kit
- [UTYVTGX](#) Splits Network Converter (DC Powered)
- [UTYVTGXV](#) Splits Network Converter (AC Powered)



*Specifications and design are subject to change without notice for further improvement.
 *Actual products' colors may be different from the colors shown in this printed material.

Distributed by :

FUJITSU GENERAL AIR CONDITIONING (UK) LIMITED
 Unit 150, Centennial Park, Centennial Avenue, Elstree, Borehamwood, Herts, WD6 3SG

www.fujitsu-general.com/uk

sales@fgac.fujitsu-general.com

Tel: +44 (0) 208 731 3450 Fax: +44 (0) 208 731 3451