

## Toshiba Air Conditioning Data Sheet

### Ceiling Mount RAV-HM901CTP-E

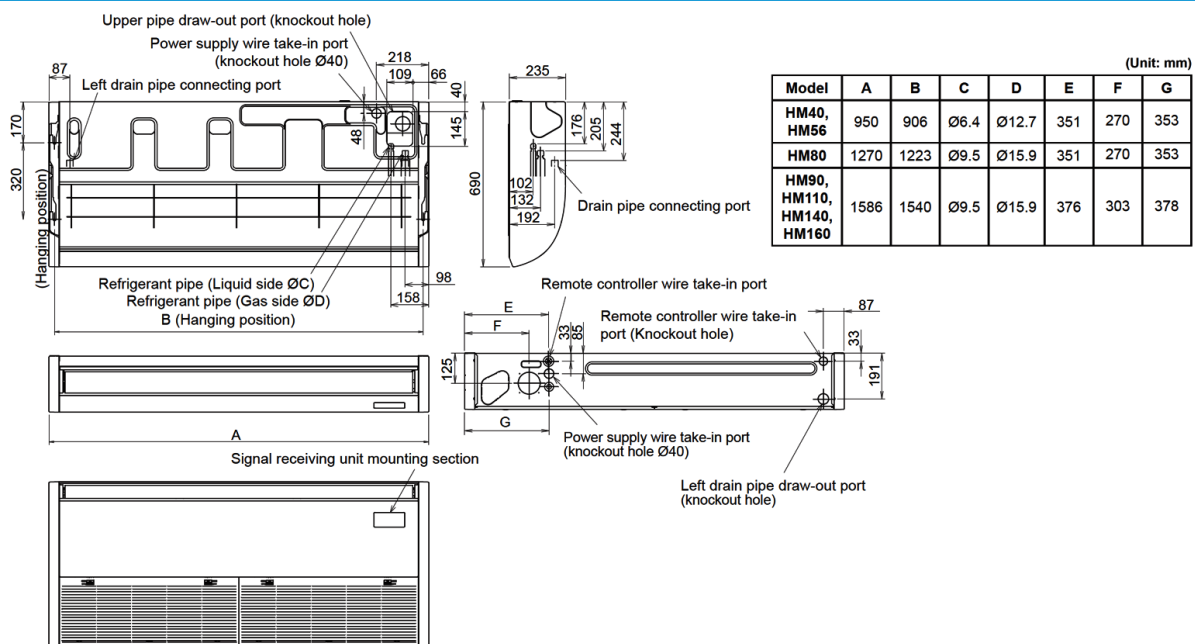
#### Features

- Low noise levels, thanks to high diameter fan and DC motor
- Automatic louvre control for all year round comfort and efficiency
- Suitable for twin/triple/quad connections
- Uses Toshiba TU2C-Link control platform (backward compatible)
- R32 Refrigerant
- Self-cleaning function, enables the air flow to remain constant and fresh and reduces the frequency of service visits
- Infra-red and wired control options available
- Replacement technology' enabling the re-use of existing R410A, R22 or R407C pipework
- Power to outdoor, please see condensing unit sheet for supply requirements



Outdoor Unit		RAV-HM901CTP-E	
Cooling	Nominal Cooling Capacity	kW	8.0
	UK Cooling Total/Sensible	kW	7.83 / 6.61
	Power Input (rated)	kW	2.58
Energy Efficiency Class	SEER/Energy Efficiency Class		6.10 / A++
Heating	Nominal Heating Capacity	kW	9.0
	UK Heating	kW	6.12
	Power Input	kW	2.65
Energy Efficiency Class	SCOP/Energy Efficiency Class		4.6 / A++
Air Flow	High - Low	l/s	444 - 250
	High - Low	m <sup>3</sup> /h	1600 - 900
Sound	Pressure High - Medium - Low	dB(A)	42 - 38 - 32
	Power High - Medium - Low	dB(A)	57 - 53 - 45
Unit	Height x Width x Depth	mm	235 x 1586 x 690
	Weight	kg	37
Pipe Connection	Flare Connections (gas - liquid)	inch	5/8 - 3/8

The electrical installation needs to meet current UK electrical regulations BS7671:2018+A2:2022 the 18th Edition of the IET regulations. Fuse sizes shown are for guidance only, cables and protective devices should be calculated using the MCA/MOCP details provided



Contact us for full details at  
sales@cooldesignsstd.co.uk  
or visit www.cdweb.info



Raising the standards in Air Conditioning Distribution

Gateshead  
0191 5496964

Warrington  
01925 820000

Glasgow  
01355 234776