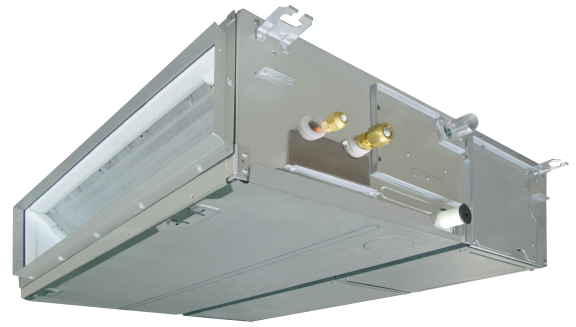


## Toshiba Air Conditioning Data Sheet

### Ducted RAV-HM901BTP-E

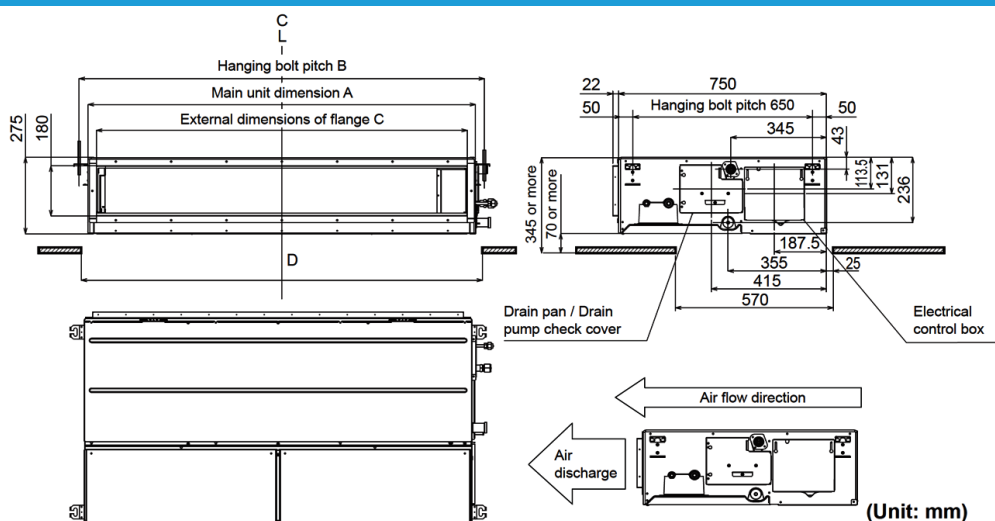
#### Features

- Built-in high-lift drain pump to 850mm
- Up to 120Pa available pressure : thanks to DC fan motor
- Suitable for twin/triple/quad connections
- Uses Toshiba TU2C-Link control platform (backward compatible)
- R32 Refrigerant
- Flexible design, allows the inlet air configuration to be configured between the standard rear inlet design or as an alternative, from the underside of the unit
- Provision for a fresh air intake supply via a pre-punched knockout hole
- Replacement technology' enabling the re-use of existing R410A, R22 or R407C pipework
- Power to outdoor, please see condensing unit sheet for supply requirements



Outdoor Unit		RAV-HM901BTP-E	
Cooling	Nominal Cooling Capacity	kW	8.0
	UK Cooling Total/Sensible	kW	7.83 / 5.78
	Power Input (rated)	kW	2.67
Energy Efficiency Class	SEER/Energy Efficiency Class		6.10 / A++
Heating	Nominal Heating Capacity	kW	9.0
	UK Heating	kW	6.12
	Power Input	kW	2.65
Energy Efficiency Class	SCOP/Energy Efficiency Class		4.6 / A++
Air Flow	High - Low	l/s	472 / 278
	High - Low	m <sup>3</sup> /h	1700 / 1000
Sound	Pressure High - Medium - Low	dB(A)	37 - 33 - 30
	Power High - Medium - Low	dB(A)	52 - 48 - 45
Unit	Height x Width x Depth	mm	275 x 1400 x 750
	Weight	kg	40
External Static Pressure	Standard	Pa	40
	Upper Limit	Pa	150
Pipe Connection	Flare Connections (gas - liquid)	inch	5/8 - 3/8

The electrical installation needs to meet current UK electrical regulations BS7671:2018+A2:2022 the 18th Edition of the IET regulations. Fuse sizes shown are for guidance only, cables and protective devices should be calculated using the MCA/MOCP details provided



Model	A	B	C	D
HM56 type	700	765	640	750
HM80 type	1000	1005	940	1050
HM90, HM110, HM140, HM160 type	1400	1465	1340	1450

Contact us for full details at  
sales@cooldesignsstd.co.uk  
or visit www.cdweb.info



Raising the standards in Air Conditioning Distribution

Gateshead  
0191 5496964

Warrington  
01925 820000

Glasgow  
01355 234776