

## Toshiba Air Conditioning Data Sheet

### Ceiling Mount RAV-HM1601CTP-E

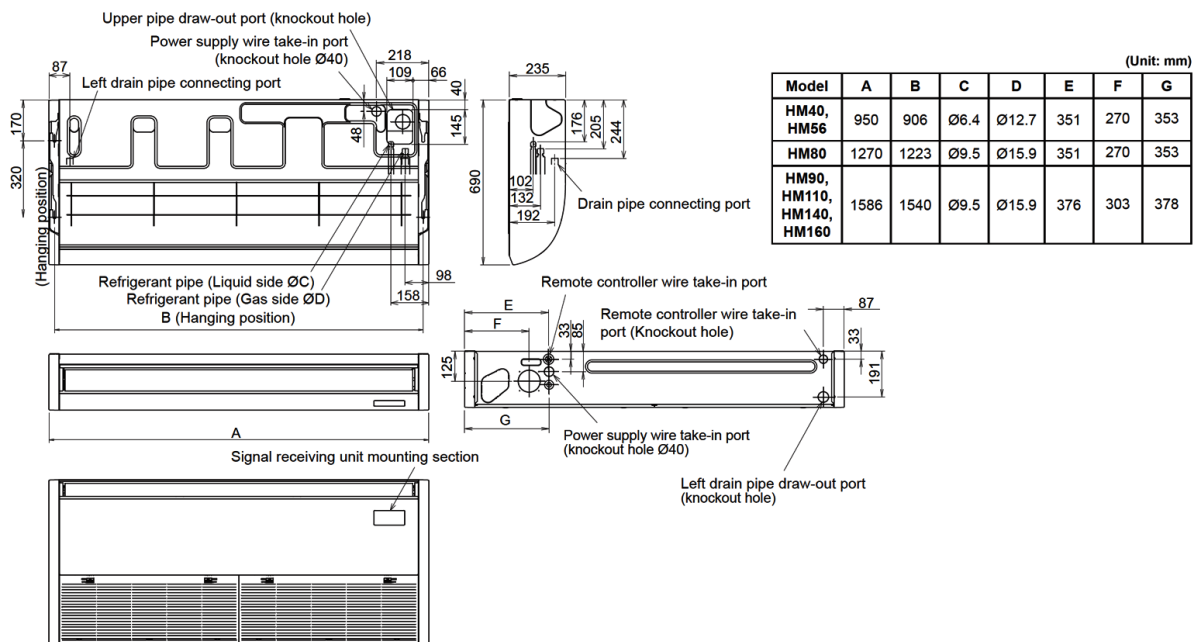
#### Features

- Low noise levels, thanks to high diameter fan and DC motor
- Automatic louvre control for all year round comfort and efficiency
- Suitable for twin/triple/quad connections
- Uses Toshiba TU2C-Link control platform (backward compatible)
- R32 Refrigerant
- Self-cleaning function, enables the air flow to remain constant and fresh and reduces the frequency of service visits
- Infra-red and wired control options available
- Replacement technology' enabling the re-use of existing R410A, R22 or R407C pipework
- Power to outdoor, please see condensing unit sheet for supply requirements



Outdoor Unit		RAV-HM1601CTP-E	
Cooling	Nominal Cooling Capacity	kW	14.0
	UK Cooling Total/Sensible	kW	13.3 / 9.3
	Power Input (rated)	kW	4.65
Energy Efficiency Class	SEER/Energy Efficiency Class		5.3 / A
Heating	Nominal Heating Capacity	kW	16.0
	UK Heating	kW	10.88
	Power Input	kW	4.69
Energy Efficiency Class	SCOP/Energy Efficiency Class		3.9 /
Air Flow	High - Low	l/s	567 - 350
	High - Low	m <sup>3</sup> /h	2040 - 1200
Sound	Pressure High - Medium - Low	dB(A)	46 - 42 - 36
	Power High - Medium - Low	dB(A)	61 - 57 - 51
Unit	Height x Width x Depth	mm	235 x 1586 x 690
	Weight	kg	37
Pipe Connection	Flare Connections (gas - liquid)	inch	5/8 - 3/8

The electrical installation needs to meet current UK electrical regulations BS7671:2018+A2:2022 the 18th Edition of the IET regulations. Fuse sizes shown are for guidance only, cables and protective devices should be calculated using the MCA/MOCP details provided



Contact us for full details at  
sales@cooldesignsstd.co.uk  
or visit www.cdweb.info



Raising the standards in Air Conditioning Distribution

Gateshead  
0191 5496964

Warrington  
01925 820000

Glasgow  
01355 234776

Rated conditions: Cooling : Indoor 27 degC Dry Bulb /19 degC Wet Bulb , Outdoor 35 degC Dry Bulb. Heating : Indoor 20 degC Dry Bulb , Outdoor 7 degC Dry Bulb / 6 degC WetBulb. Based on equivalent piping length of 7.5m and piping height difference of 0m. Data from Toshiba Air Conditioning 2022