

## Toshiba Air Conditioning Data Sheet

### Ceiling Mount RAV-HM1401CTP-E

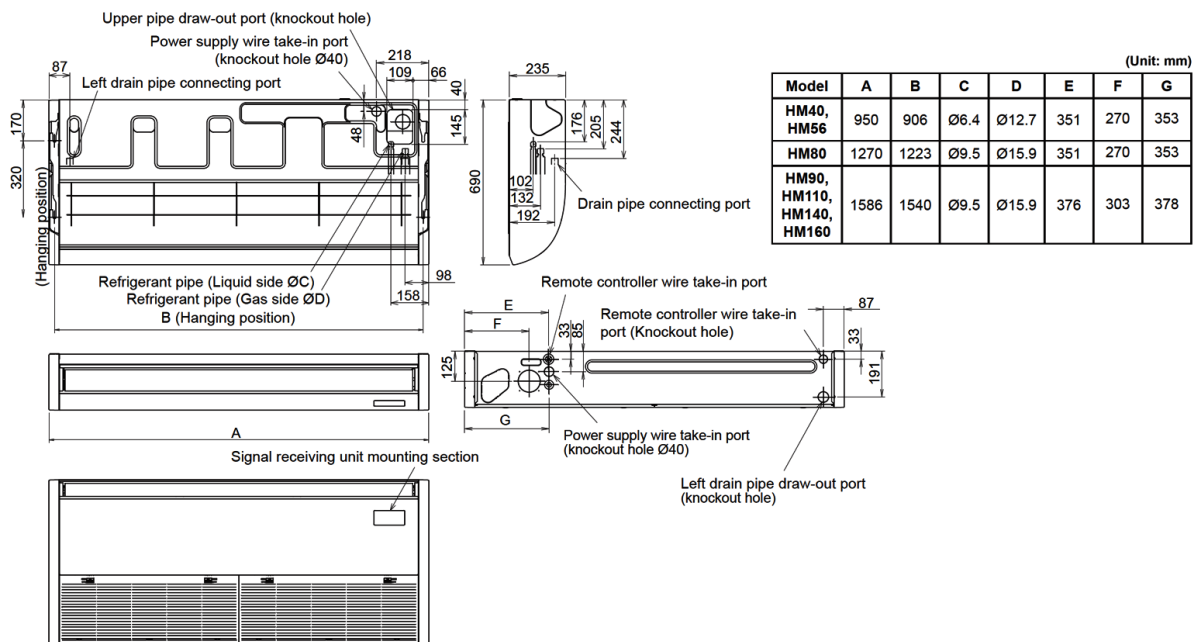
#### Features

- Low noise levels, thanks to high diameter fan and DC motor
- Automatic louvre control for all year round comfort and efficiency
- Suitable for twin/triple/quad connections
- Uses Toshiba TU2C-Link control platform (backward compatible)
- R32 Refrigerant
- Self-cleaning function, enables the air flow to remain constant and fresh and reduces the frequency of service visits
- Infra-red and wired control options available
- Replacement technology' enabling the re-use of existing R410A, R22 or R407C pipework
- Power to outdoor, please see condensing unit sheet for supply requirements



| Outdoor Unit            |                                  | RAV-HM1401CTP-E   |                  |
|-------------------------|----------------------------------|-------------------|------------------|
| Cooling                 | Nominal Cooling Capacity         | kW                | 12.1             |
|                         | UK Cooling Total/Sensible        | kW                | 11.5 / 8.4       |
|                         | Power Input (rated)              | kW                | 4.42             |
| Energy Efficiency Class | SEER/Energy Efficiency Class     |                   | 5.36 / A         |
| Heating                 | Nominal Heating Capacity         | kW                | 13.0             |
|                         | UK Heating                       | kW                | 9.30             |
|                         | Power Input                      | kW                | 3.73             |
| Energy Efficiency Class | SCOP/Energy Efficiency Class     |                   | 4.19 / A+        |
| Air Flow                | High - Low                       | l/s               | 567 - 333        |
|                         | High - Low                       | m <sup>3</sup> /h | 2040 - 1200      |
| Sound                   | Pressure High - Medium - Low     | dB(A)             | 46 - 41 - 35     |
|                         | Power High - Medium - Low        | dB(A)             | 61 - 56 - 50     |
| Unit                    | Height x Width x Depth           | mm                | 235 x 1586 x 690 |
|                         | Weight                           | kg                | 37               |
| Pipe Connection         | Flare Connections (gas - liquid) | inch              | 5/8 - 3/8        |

The electrical installation needs to meet current UK electrical regulations BS7671:2018+A2:2022 the 18th Edition of the IET regulations. Fuse sizes shown are for guidance only, cables and protective devices should be calculated using the MCA/MOCP details provided



Contact us for full details at  
sales@cooldesignsstd.co.uk  
or visit www.cdweb.info

Raising the standards in Air Conditioning Distribution



Gateshead  
0191 5496964

Warrington  
01925 820000

Glasgow  
01355 234776