

Toshiba Air Conditioning Data Sheet

Ducted RAV-HM1101BTP-E

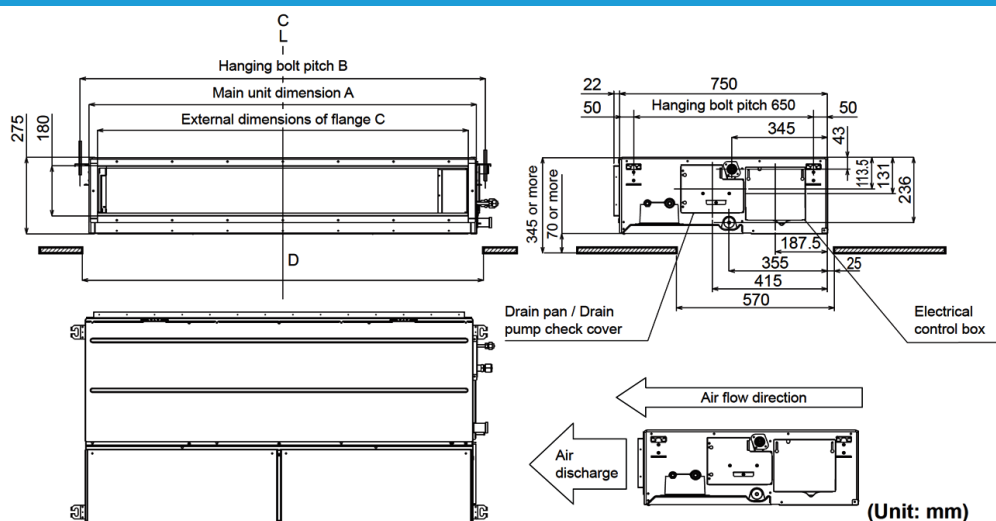
Features

- Built-in high-lift drain pump to 850mm
- Up to 120Pa available pressure : thanks to DC fan motor
- Suitable for twin/triple/quad connections
- Uses Toshiba TU2C-Link control platform (backward compatible)
- R32 Refrigerant
- Flexible design, allows the inlet air configuration to be configured between the standard rear inlet design or as an alternative, from the underside of the unit
- Provision for a fresh air intake supply via a pre-punched knockout hole
- Replacement technology' enabling the re-use of existing R410A, R22 or R407C pipework
- Power to outdoor, please see condensing unit sheet for supply requirements



Outdoor Unit		RAV-HM1101BTP-E	
Cooling	Nominal Cooling Capacity	kW	9.5
	UK Cooling Total/Sensible	kW	9.10 / 7.37
	Power Input (rated)	kW	2.99
Energy Efficiency Class	SEER/Energy Efficiency Class		5.28 / A
Heating	Nominal Heating Capacity	kW	11.2
	UK Heating	kW	8.01
	Power Input	kW	2.99
Energy Efficiency Class	SCOP/Energy Efficiency Class		4.19 / A+
Air Flow	High - Low	l/s	583 / 350
	High - Low	m ³ /h	2100 / 1260
Sound	Pressure High - Medium - Low	dB(A)	40 - 36 - 33
	Power High - Medium - Low	dB(A)	55 - 51 - 48
Unit	Height x Width x Depth	mm	275 x 1400 x 750
	Weight	kg	40
External Static Pressure	Standard	Pa	40
	Upper Limit	Pa	150
Pipe Connection	Flare Connections (gas - liquid)	inch	5/8 -3/8

The electrical installation needs to meet current UK electrical regulations BS7671:2018+A2:2022 the 18th Edition of the IET regulations. Fuse sizes shown are for guidance only, cables and protective devices should be calculated using the MCA/MOCP details provided



Model	A	B	C	D
HM56 type	700	765	640	750
HM80 type	1000	1005	940	1050
HM90, HM110, HM140, HM160 type	1400	1465	1340	1450

Contact us for full details at
sales@cooldesignsstd.co.uk
or visit www.cdweb.info



Raising the standards in Air Conditioning Distribution

Gateshead
0191 5496964

Warrington
01925 820000

Glasgow
01355 234776