

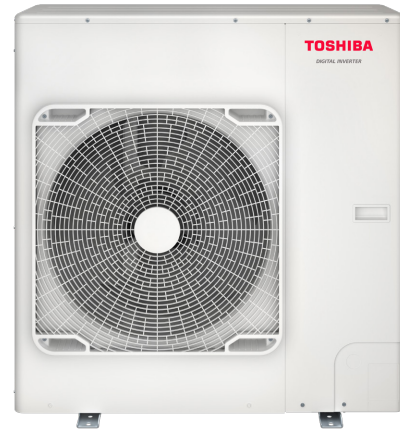
## Toshiba Air Conditioning Data Sheet

### Classic Condensing Unit

#### RAV-GV1601ATP-E

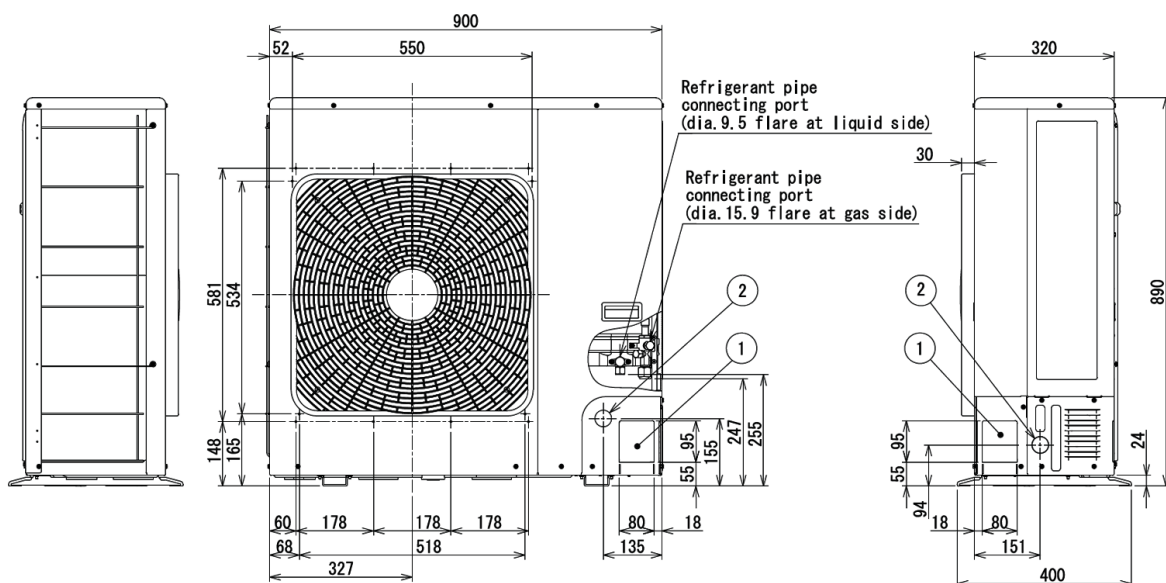
##### Features

- Compact single fan chassis
- Compatible with TU2C-Link control
- Available single and three phase
- Uses Toshiba TU2C-Link control platform (backward compatible)
- R32 Refrigerant



Outdoor Unit		RAV-GV1601ATP-E	
Cooling	Nominal Cooling Capacity	kW	13.0
	Min - Max	kW	3.0-14.0
Energy Efficiency Class	SEER/Energy Efficiency Class		5.90/-
Heating	Nominal Heating Capacity	kW	13.5
	Min - Max	kW	3.0-18.0
Energy Efficiency Class	SCOP/Energy Efficiency Class		4.20/-
Air Flow		m <sup>3</sup> /h - l/s	6900 - 1917
Sound	Pressure Cool - Heat	dB(A)	53 - 55
	Power Cool - Heat	dB(A)	70 - 72
Unit	Height x Width x Depth	mm	890 x 900 x 320
	Weight	kg	95
Pipe Connection	Flare Connections (gas - liquid)	inch	5/8 - 3/8
Pipe Length	Min - Max - Height	M	5 - 30 - 30
Refrigerant	Type / kg / TeqCO <sub>2</sub>	kg	R32 / 2.2 / 1.5
	Charged length / additional	M / g	30 / 35
Electrical	Power supply/suggested fuse	V/ph/Hz-A	220-240/1/50-32
	Run current (Cassette)	Amps	25.1
	Power indoor to outdoor		3 core + earth

The electrical installation needs to meet current UK electrical regulations BS7671:2018+A2:2022 the 18th Edition of the IET regulations. Fuse sizes shown are for guidance only, cables and protective devices should be calculated using the MCA/MOCP details provided



Contact us for full details at  
[sales@cooldesignsstd.co.uk](mailto:sales@cooldesignsstd.co.uk)  
 or visit [www.cdtweb.info](http://www.cdtweb.info)



Raising the standards in Air Conditioning Distribution

Gateshead  
0191 5496964

Warrington  
01925 820000

Glasgow  
01355 234776