

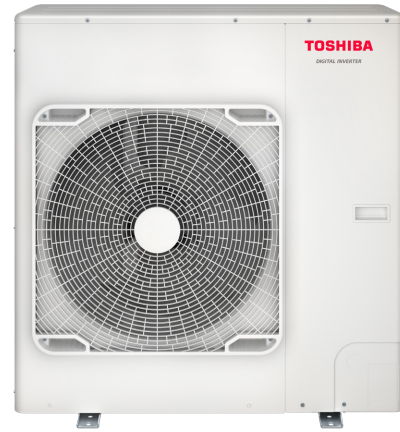
Toshiba Air Conditioning Data Sheet

Classic Condensing Unit

RAV-GV1601AT8P-E

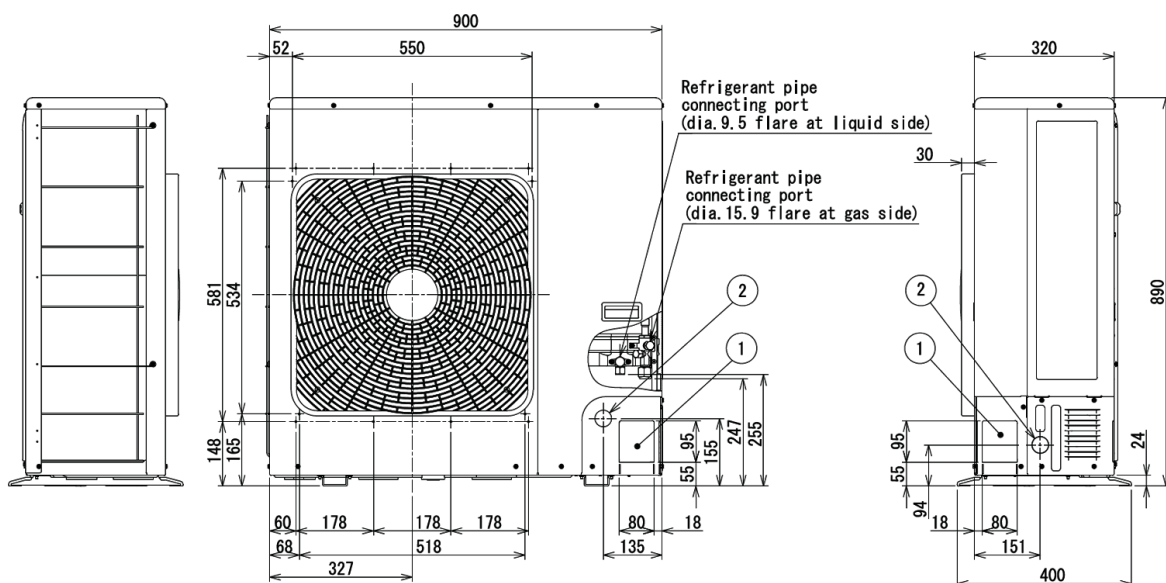
Features

- Compact single fan chassis
- Compatible with TU2C-Link control
- Available single and three phase
- Uses Toshiba TU2C-Link control platform (backward compatible)
- R32 Refrigerant



Outdoor Unit		RAV-GV1601AT8P-E	
Cooling	Nominal Cooling Capacity	kW	13.0
	Min - Max	kW	3.0-14.0
Energy Efficiency Class	SEER/Energy Efficiency Class		5.90/-
Heating	Nominal Heating Capacity	kW	13.5
	Min - Max	kW	3.0-18.0
Energy Efficiency Class	SCOP/Energy Efficiency Class		4.20/-
Air Flow		m ³ /h - l/s	6900 - 1917
Sound	Pressure Cool - Heat	dB(A)	53 - 55
	Power Cool - Heat	dB(A)	70 - 72
Unit	Height x Width x Depth	mm	890 x 900 x 320
	Weight	kg	94
Pipe Connection	Flare Connections (gas - liquid)	inch	5/8 - 3/8
Pipe Length	Min - Max - Height	M	5 - 30 - 30
Refrigerant	Type / kg / TeqCO ₂	kg	R32 / 2.2 / 1.5
	Charged length / additional	M / g	30 / 35
Electrical	Power supply/suggested fuse	V/ph/Hz-A	380-415/3/50-16
	Run current (Cassette)	Amps	
	Power indoor to outdoor		3 core + earth

The electrical installation needs to meet current UK electrical regulations BS7671:2018+A2:2022 the 18th Edition of the IET regulations. Fuse sizes shown are for guidance only, cables and protective devices should be calculated using the MCA/MOCP details provided



Contact us for full details at
sales@cooldesignsstd.co.uk
 or visit www.cdtweb.info



Raising the standards in Air Conditioning Distribution

Gateshead
0191 5496964

Warrington
01925 820000

Glasgow
01355 234776