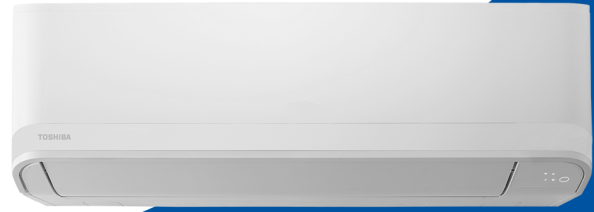


Toshiba Air Conditioning Data Sheet

RAS-B13E2KVG-E
SEIYA (E2) INDOOR UNIT

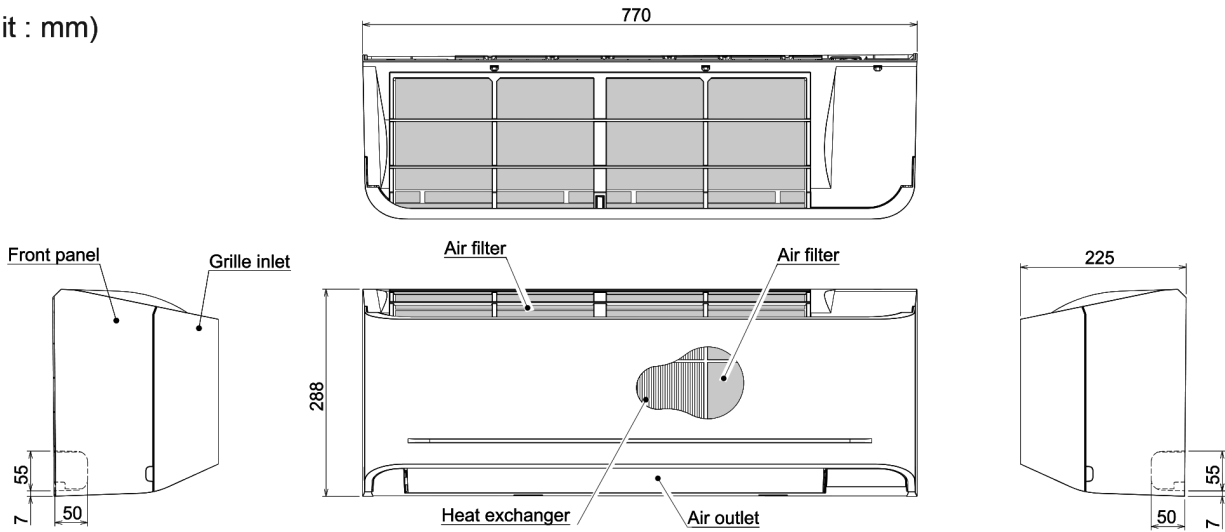


Model Reference		RAS-B13E2KVG-E	
Nominal	Cooling Capacity	kW	3.3
	Heating Capacity	kW	3.6
	EER/COP	W/W	3.00/3.91
UK	Cooling Total/Sensible	kW	3.22/2.49
	Heating	kW	2.20
Cooling EN14825	Range Min. - Max.	kW	1.20 - 3.60
	Power Input	kW	1.10
	Pdesign	kW	3.3
	SEER/Energy Efficiency Class		7.00/A++
	Seasonal Energy Consumption	kWh/a	165
Heating EN14825	Range Min. - Max.	kW	0.97 - 4.50
	Power Input	kW	0.92
	Pdesign	kW	2.7
	SCOP/Energy Efficiency Class		4.60/A++
	Seasonal Energy Consumption	kWh/a	822
Air Flow	High - Low	l/s	158 - 72
	High - Low	m ³ /h	560 - 259
Sound	Pressure High - Low	dB(A)	42 - 20
	Power High	dB(A)	54
Unit	Height x Width x Depth	mm	288 x 770 x 225
	Weight	kg	9
Pipe Connection	Flare Connections (gas - liquid)	inch	3/8" - 1/4"
	Drain Pipe Connection OD/ID	mm	16/14
Remote controller			WH-TG01NE

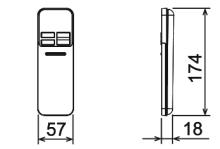
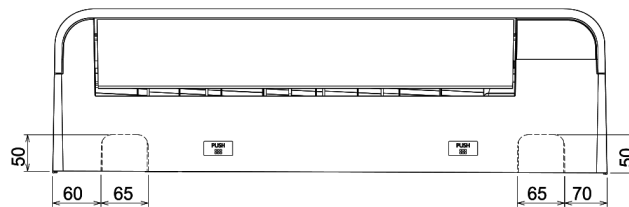
TOSHIBA

- invisible piping cut-out
- ultra fresh filter
- new remote control
- wireless adapter is supported and can be installed inside the indoor unit
- supports energy monitoring; remote control is connectable with wires and dustless heat exchanger

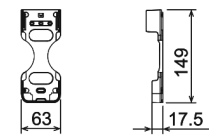
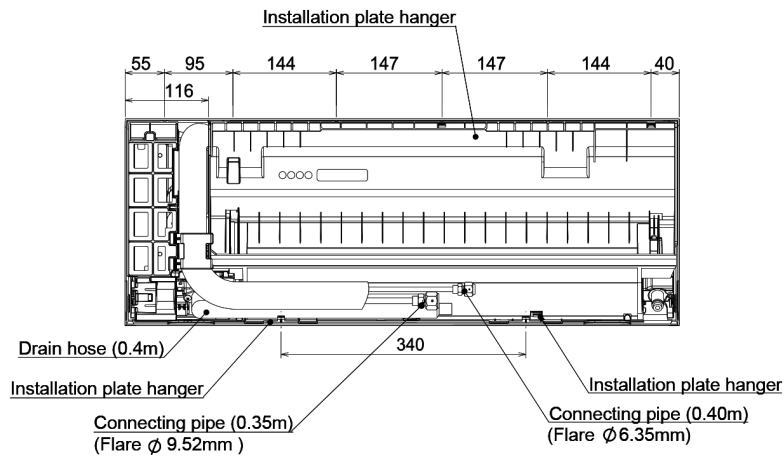
(Unit : mm)



Knock out system



Wireless remote controller



Remote controller holder

