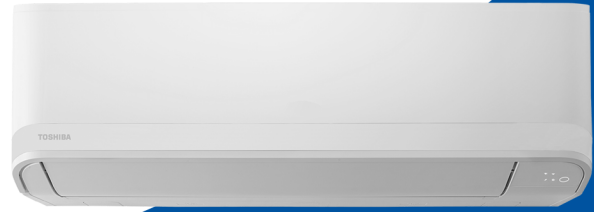


## Toshiba Air Conditioning Data Sheet

RAS-B10E2KVG-E  
SEIYA (E2) INDOOR UNIT

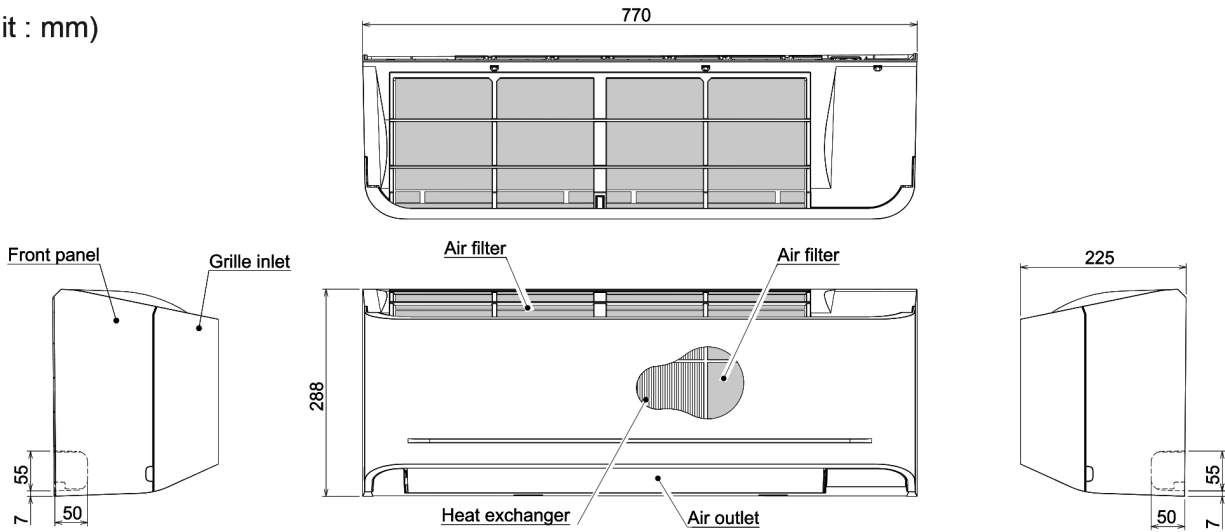


Model Reference		RAS-B10E2KVG-E	
Nominal	Cooling Capacity	kW	2.5
	Heating Capacity	kW	3.2
	EER/COP	W/W	3.57/3.72
UK	Cooling Total/Sensible	kW	2.44/1.93
	Heating	kW	2.03
Cooling EN14825	Range Min. - Max.	kW	0.80 - 3.00
	Power Input	kW	0.70
	Pdesign	kW	2.5
	SEER/Energy Efficiency Class		7.00/A++
	Seasonal Energy Consumption	kWh/a	125
Heating EN14825	Range Min. - Max.	kW	0.95 - 3.90
	Power Input	kW	0.86
	Pdesign	kW	2.4
	SCOP/Energy Efficiency Class		4.60/A++
	Seasonal Energy Consumption	kWh/a	730
Air Flow	High - Low	l/s	144 - 64
	High - Low	m <sup>3</sup> /h	510 - 233
Sound	Pressure High - Low	dB(A)	39 - 20
	Power High	dB(A)	52
Unit	Height x Width x Depth	mm	288 x 770 x 225
	Weight	kg	9
Pipe Connection	Flare Connections (gas - liquid)	inch	3/8" - 1/4"
	Drain Pipe Connection OD/ID	mm	16/14
Remote controller			WH-TG01NE

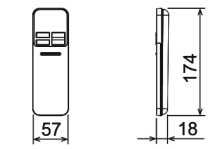
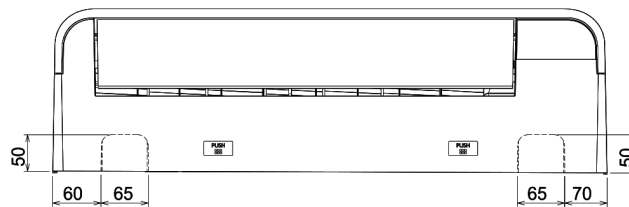
# TOSHIBA

- invisible piping cut-out
- ultra fresh filter
- new remote control
- wireless adapter is supported and can be installed inside the indoor unit
- supports energy monitoring; remote control is connectable with wires and dustless heat exchanger

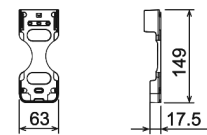
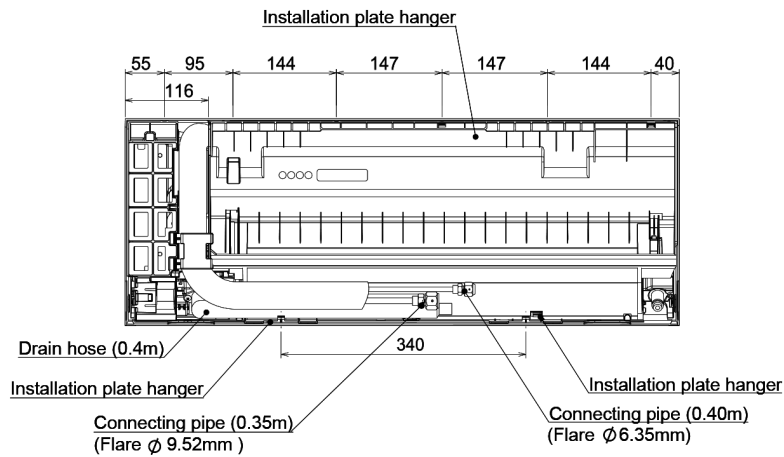
(Unit : mm)



Knock out system



Wireless remote controller



Remote controller holder

