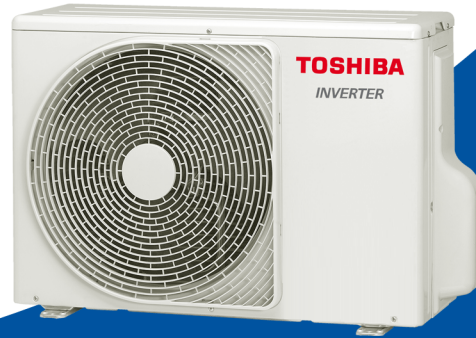


Toshiba Air Conditioning Data Sheet

RAS-18E2AVG-E
SEIYA (E2) OUTDOOR UNIT

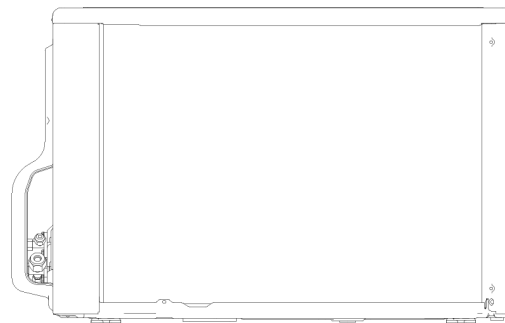
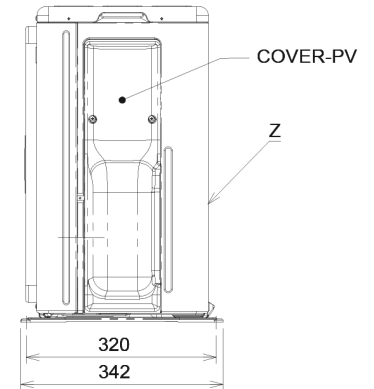
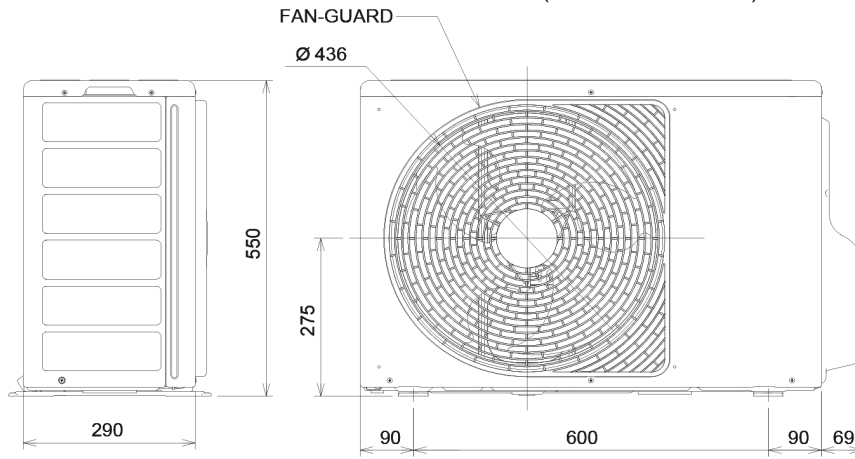
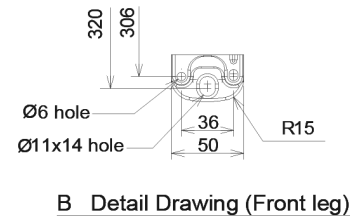
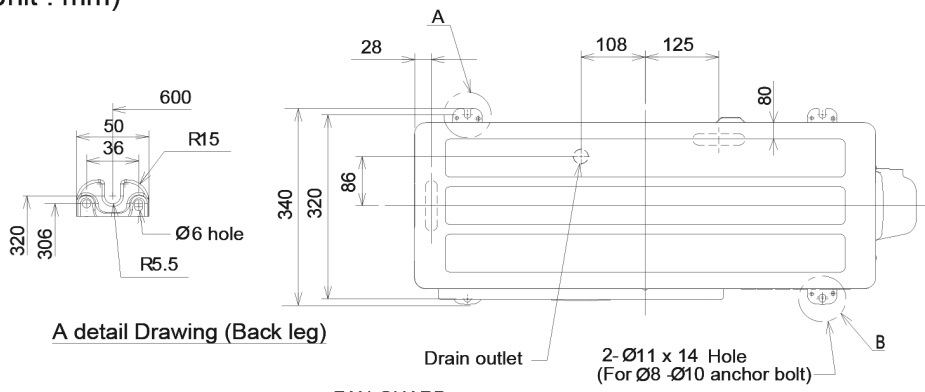


Model Reference		RAS-18E2AVG-E	
Nominal	Cooling Capacity	kW	5.0
	Heating Capacity	kW	5.4
	EER/COP	W/W	3.33/3.60
UK	Cooling Total/Sensible	kW	4.88/3.57
	Heating	kW	3.34
Cooling EN14825	Range Min. - Max.	kW	1.45 - 5.50
	Power Input	kW	1.50
	Pdesign	kW	5.0
	SEER/Energy Efficiency Class		7.00/A++
	Seasonal Energy Consumption	kWh/a	250
Heating EN14825	Range Min. - Max.	kW	1.35 - 6.00
	Power Input	kW	1.50
	Pdesign	kW	3.8
	SCOP/Energy Efficiency Class		4.40/A+
	Seasonal Energy Consumption	kWh/a	1209
Operating range	Cooling/Heating	°C	-15 ~ 46/-15~24
Air Flow	High	m ³ /h - l/s	2160 - 600
Sound	Pressure High Cooling/Heating/Silent	dB(A)	50 - 51 - 44
	Power High Cooling/Heating/Silent	dB(A)	63 - 64 - 59
Unit	Height x Width x Depth	mm	550x780x290
	Weight	kg	34
Pipe Connection	Flare Connections (gas-liquid)	inch	1/2" - 1/4"
	Min.-Max. Length	m	2-20
	Maximum Height Difference	m	±12
	Drain Port Connection	mm	16
Refrigerant R32	Base Charge/Chargeless Length	m	0.93/15
	Additional Charge	g/m	20
Run Current	Maximum	Amps	-/*
Power Cable	Outdoor to Indoor		3 core + earth
Power Supply	Suggested Fuse Size	V/ph/Hz-A	220-240/1/50-16

TOSHIBA

- invisible piping cut-out
- ultra fresh filter
- new remote control
- wireless adapter is supported and can be installed inside the indoor unit
- supports energy monitoring; remote control is connectable with wires and dustless heat exchanger

(Unit : mm)



Z View

