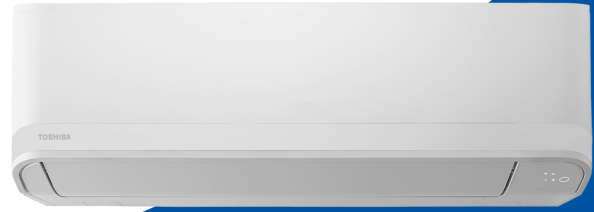


Toshiba Air Conditioning Data Sheet

RAS-B05E2KVG-E
SEIYA (E2) INDOOR UNIT

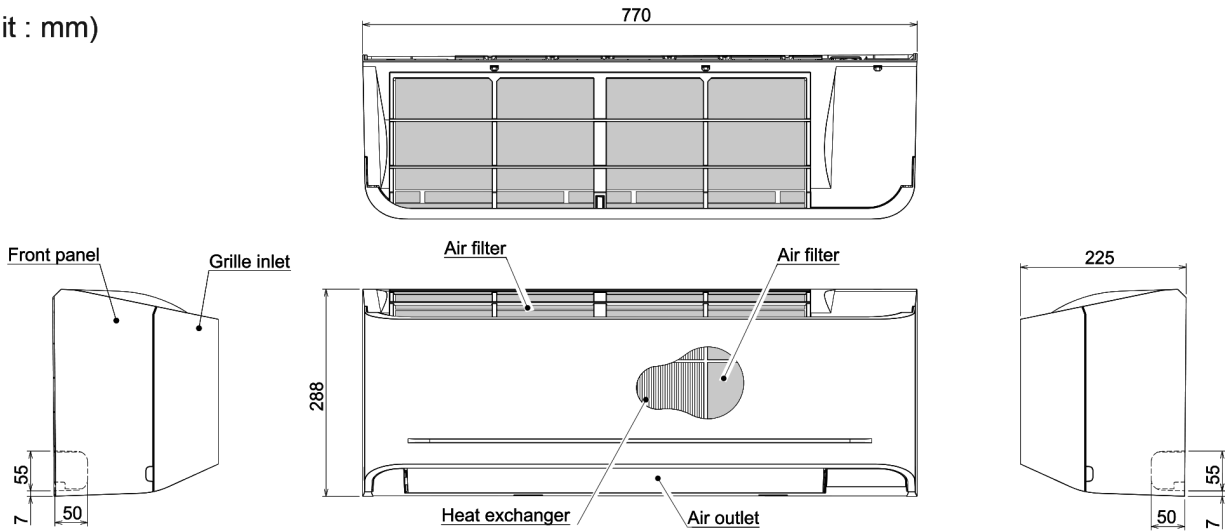


Model Reference		RAS-B05E2KVG-E	
Nominal	Cooling Capacity	kW	1.5
	Heating Capacity	kW	2.0
	EER/COP	W/W	4.17/4.26
UK	Cooling Total/Sensible	kW	1.47/1.22
	Heating	kW	1.18
Cooling EN14825	Range Min. - Max.	kW	0.75 - 2.00
	Power Input	kW	0.36
	Pdesign	kW	1.5
	SEER/Energy Efficiency Class		6.90/A++
	Seasonal Energy Consumption	kWh/a	=P13
Heating EN14825	Range Min. - Max.	kW	0.8 - 3.00
	Power Input	kW	0.47
	Pdesign	kW	1.6
	SCOP/Energy Efficiency Class		4.60/A++
	Seasonal Energy Consumption	kWh/a	487
Air Flow	High - Low	l/s	34 - 55
	High - Low	m ³ /h	48 - 199
Sound	Pressure High - Low	dB(A)	37 - 19
	Power High	dB(A)	50
Unit	Height x Width x Depth	mm	288 x 770 x 225
	Weight	kg	9
Pipe Connection	Flare Connections (gas - liquid)	inch	3/8" - 1/4"
	Drain Pipe Connection OD/ID	mm	16/14
Remote controller			WH-TG01NE

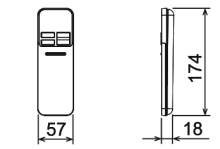
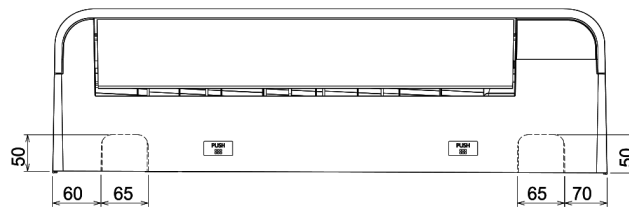
TOSHIBA

- invisible piping cut-out
- ultra fresh filter
- new remote control
- wireless adapter is supported and can be installed inside the indoor unit
- supports energy monitoring; remote control is connectable with wires and dustless heat exchanger

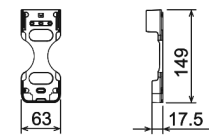
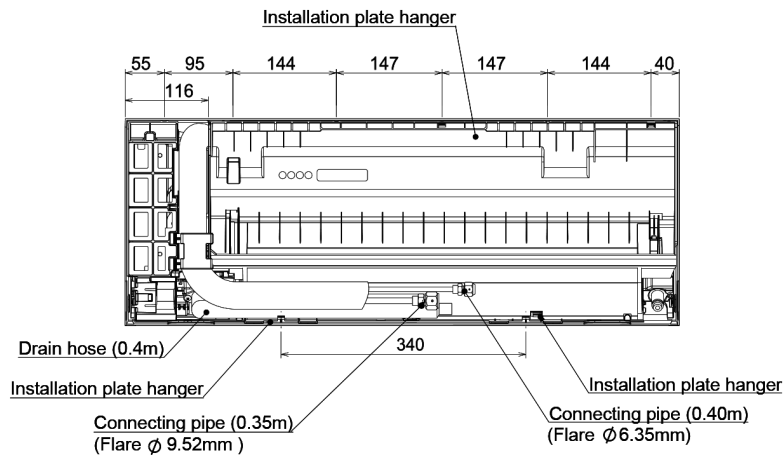
(Unit : mm)



Knock out system



Wireless remote controller



Remote controller holder

