

## Toshiba Air Conditioning Data Sheet

MMD-UP0181HP-E  
VRF HIGH STATIC DUCTED



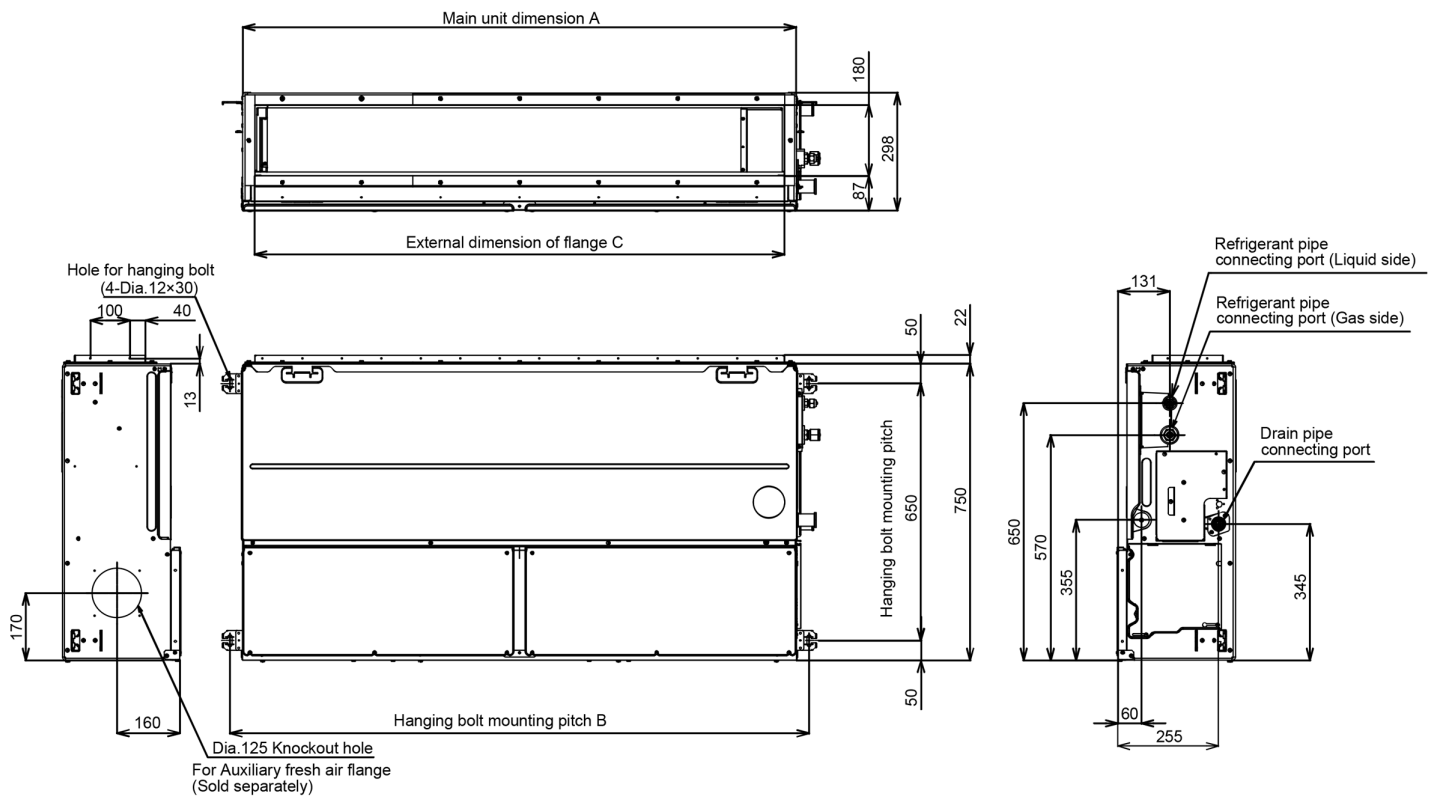
Model Reference	MMD-UP0181HP-E		
<b>Capacity Code</b>	Cooling Capacity	HP	2.0
Nominal	Heating Capacity	kW	5.6
	Cooling Total/Sensible	kW	6.3
UK	Heating	kW	5.1/3.7
	Power Input	kW	4.3
Electrical	Power Input	kW	0.125
	Run Current	Amps	0.82
	Start Current	Amps	1.12
Air Flow	High - Medium - Low	l/s	306 - 275 - 250
	High - Medium - Low	m <sup>3</sup> /h	1100 - 990 - 900
External Static Pressure	Standard	Pa	100
	Maximum	Pa	200
Sound	Pressure High - Medium - Low	dB(A)	37 - 33 - 31
	Power High - Medium - Low	dB(A)	52 - 48 - 46
Unit	Height x Width x Depth	mm	298 x 1000 x 750
	Weight	kg	34
Pipe Connection	Flare Connections (gas - liquid)	inch	1/2 - 1/4
	Drain Pipe Connection OD/ID	mm	32/25
Power Supply	Suggested Fuse Size	V/ph/Hz-A	220-240/1/50-10

# TOSHIBA

- Ultra-flexible, invisible and silent unit
- Diffuser design flexibility
- Unobtrusive, flexible and compact
- Static pressure can be set to 7 levels from 50 to 250Pa
- Long-life filter and air discharge spigot available
- Built-in high-lift drain pump (sizes 18 to 56)

## External dimensions

(Unit: mm)



### ▼ Dimension

Model MMD-	A	B	C
UP018~UP027	1000	1065	940
UP036~UP056	1400	1465	1340