

Toshiba Air Conditioning Data Sheet

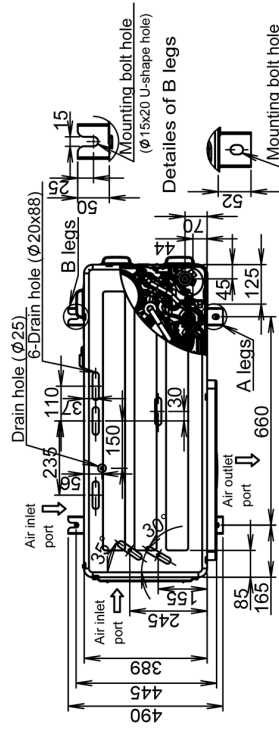
MCY-MHP0806HS8-E
Mini VRF Outdoor



Model Reference	MCY-MHP0806HS8-E		
Capacity		hp	8
Maximum Number of Indoor Units			12
Cooling Capacity		kW	22.4
Heating Capacity		kW	22.4
Operating Range	Cooling/Heating	°C	-5 to 46/-25 to 15
Cooling	Power Consumption	kW	6.67
	EER/SEER/nsc(A)%		3.36/8.09/320.6
Heating	Power Consumption	kW	5.2
	EER/SEER/nsc(A)%		4.31/4.5/177
Fan	Standard Air Flow H	l/s	2350
	Standard Air Flow H	m ³ /h	8460
Sound	Pressure High Cooling/Heating	dB(A)	58/59
	Power High Cooling/Heating	dB(A)	75/75
Unit	Height x Width x Depth	mm	1740x990x390
	Weight	kg	147
Pipe Connection	Flare Connections (gas - liquid)	inch	3/8 - 3/4
	Equivalent Length	m	130
	Real Length	m	100
	Total Pipe Length (Liquid)	m	250
	Length to First Branch	m	70
	Indoor unit connecting piping	m	15
	Height difference Outdoor > indoor	m	30
	Height difference Outdoor < indoor	m	30
Height difference between indoors	m	15	
Refrigerant	Gas - Base Charge/Chargeless Length	m	R410A - 4.4
Electrical	Run Current Cool/Heat	Amps	11.1/8.7
	Power Supply Wiring Start Current		soft start
	Power Supply Wiring Start Current	V/ph/Hz-A	380-415/3/50
	Suggested Fuse Size	Amps	20

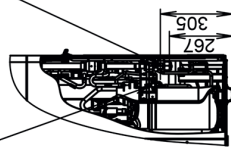
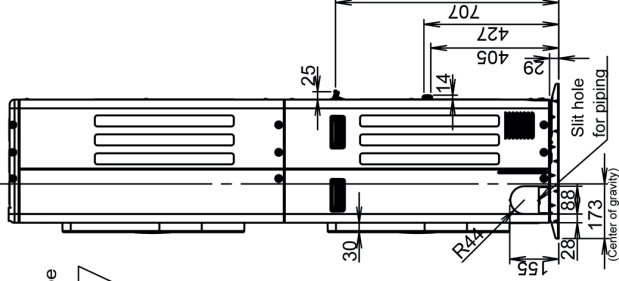
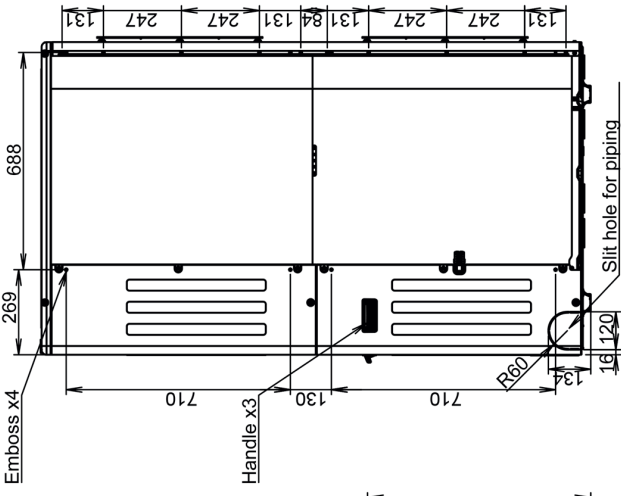
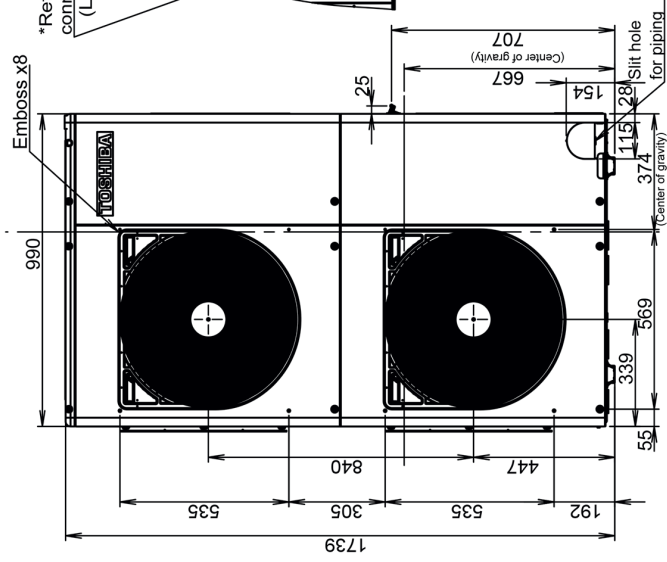
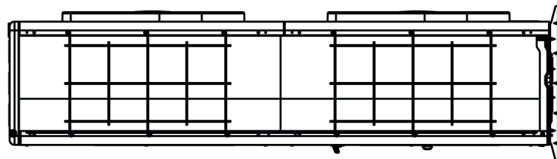
* Waiting for published data

TOSHIBA



	Diameter of connecting port		Diameter of connecting pipe
	Liquid side	Gas side	
MCY-MHP0806HS8-E	∅ 9.52	∅ 19.05	∅ 9.52 / ∅ 19.05
MCY-MHP1006HS8-E	∅ 9.52	∅ 19.05	∅ 9.52 / ∅ 22.22
MCY-MHP0806HS8-TR	∅ 9.52	∅ 19.05	∅ 9.52 / ∅ 19.05
MCY-MHP1006HS8-TR	∅ 9.52	∅ 19.05	∅ 9.52 / ∅ 22.22

* Refrigerant pipe connecting port (Liquid side)
 * Refrigerant pipe connecting port (Gas side)



(Unit : mm)

Knockout for downward piping