

Toshiba Air Conditioning Data Sheet

MCY-MHP0404HS-E
Mini VRF Outdoor

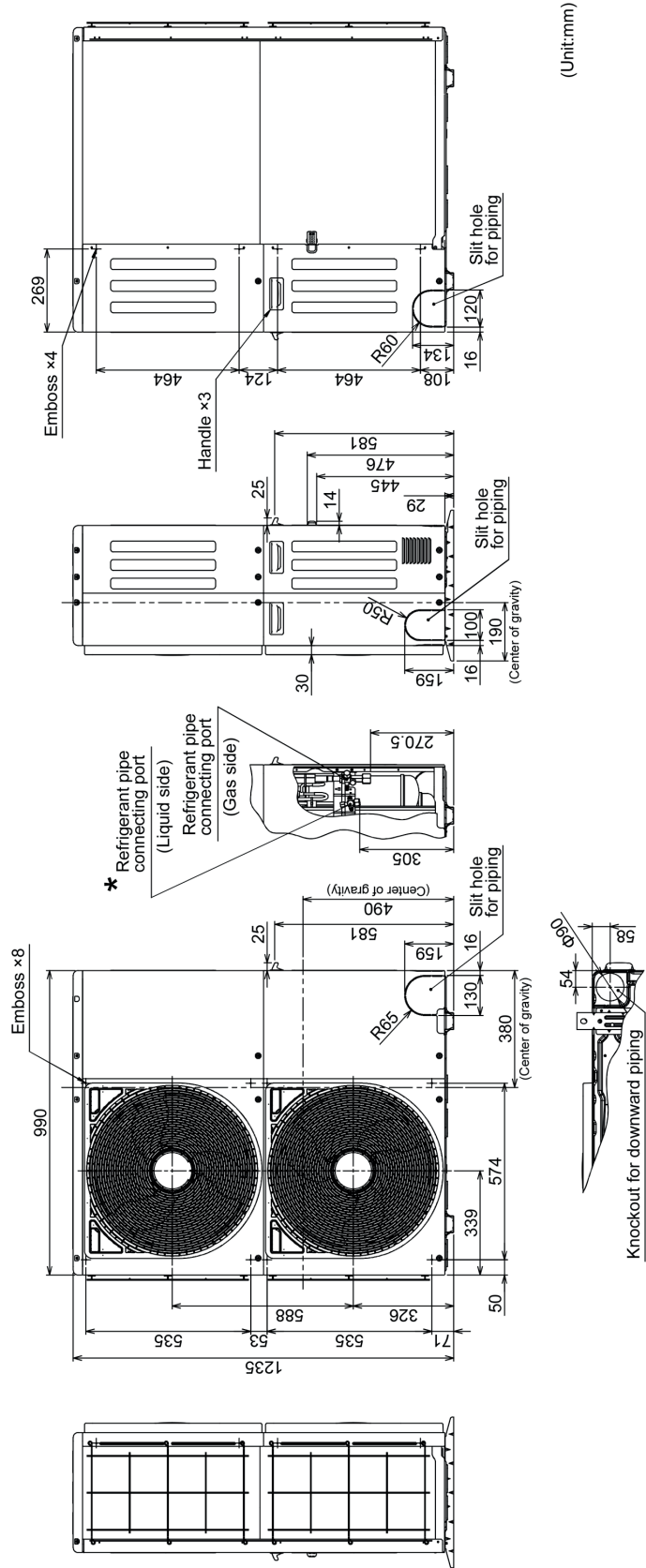
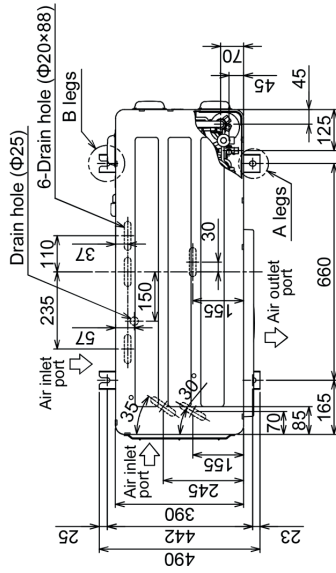
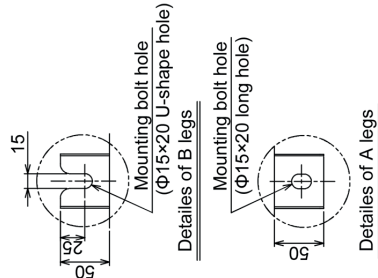


Model Reference		MCY-MHP0404HS-E	
Capacity		hp	4
Maximum Number of Indoor Units			8
Cooling Capacity		kW	12.1
Heating Capacity		kW	12.5
Operating Range	Cooling/Heating	°C	-5 to 46/-25 to 15
Cooling	Power Consumption	kW	2.83
	EER/SEER/nsc(A)%		4.28/9.42/373.8
Heating	Power Consumption	kW	2.59
	EER/SEER/nsc(A)%		4.83/4.17/163.8
Fan	Standard Air Flow H	l/s	1572
	Standard Air Flow H	m ³ /h	5660
Sound	Pressure High Cooling/Heating	dB(A)	49/52
	Power High Cooling/Heating	dB(A)	66/69
Unit	Height x Width x Depth	mm	1235x990x390
	Weight	kg	127
Pipe Connection	Flare Connections (gas - liquid)	inch	3/8 - 5/8
	Equivalent Length	m	125
	Real Length	m	100
	Total Pipe Length (Liquid)	m	180
	Length to First Branch	m	65
	Indoor unit connecting piping	m	15
	Height difference Outdoor > indoor	m	30
	Height difference Outdoor < indoor	m	20
Height difference between indoors	m	15	
Refrigerant	Gas - Base Charge/Chargeless Length	m	R410A - 6.4
Electrical	Run Current Cool/Heat	Amps	13.0/12.0
	Power Supply Wiring Start Current		soft start
	Power Supply Wiring Start Current	V/ph/Hz-A	220-240/1/50
	Suggested Fuse Size	Amps	20

* Waiting for published data

TOSHIBA

* Model	Diameter of pipe connecting port		Diameter of connecting pipe	
	Liquid side	Gas side	Liquid side	Gas side
MCY-MHP0404HS*	Ø 9.52	Ø 15.88	Ø 9.52	Ø 15.88
MCY-MHP0504HS*	Ø 9.52	Ø 15.88	Ø 9.52	Ø 15.88
MCY-MHP0604HS*	Ø 9.52	Ø 19.05	Ø 9.52	Ø 19.05



(Unit:mm)