

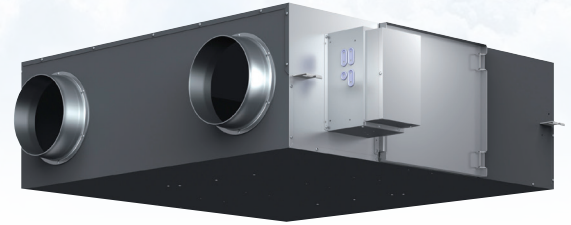
Toshiba Air Conditioning - Air-to-Air Heat Exchanger Data Sheet

VN-M500HE

Standard Heat Exchanger

Features

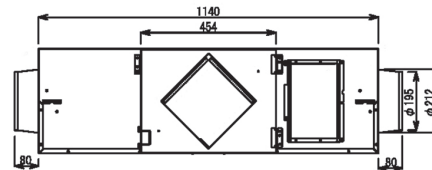
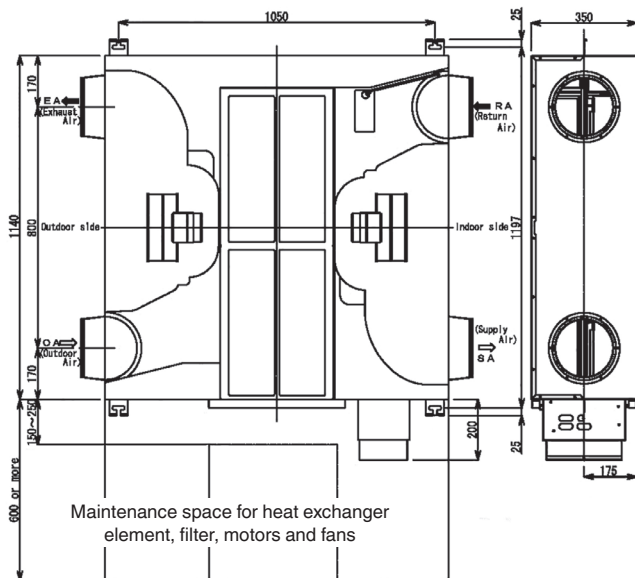
- Automatic changeover
- Recovery up to 83% of heat loss
- Air balance volume rate can be varied
- Free cooling when ambient temperature is lower than internal temperature
- Compatible with standard TCC link controls



Technical Data

Model reference		VN-M500HE
Temperature exchange efficiency (EH/H/L)	%	76.5/76.5/78
Enthalpy exchange efficiency - cooling (EH/H/L)	%	64.5/64.5/66.5
Enthalpy exchange efficiency - heating (EH/H/L)	%	72/72/73.5
Sound pressure (EH/H/L)	dB(A)	34/31/29
Power consumption (EH/H/L)	W	238/192/142
Maximum running current	A	1.00
Suggested fuse size	A	6
External static pressure (EH/H/L)	Pa	150/99/92
Dimensions (W x D x H)	mm	1140 x 1140 x 350
Weight	kg	53
Power supply	V-ph-Hz	220/240-1-50
Duct diameter	mm	200
Operating range - around unit	°C	-10 to 40, RH ≤ 80%
Operating range - outdoor air	°C	-15 to 43, RH ≤ 80%
Operating range - return air	°C	5 to 40, RH ≤ 80%

Dimensional Drawings



Cool Designs Ltd

Raising the Standards in Air Conditioning Distribution

www.cdlweb.info

