

## Toshiba Air Conditioning - VRF Data Sheet

### MMY-MAP1806FT8P

### Three-pipe SHRMe - Super Heat Recovery Condensing Unit

#### Features

- Dual setpoint for more precision
- ESEER increased to >8
- UK-SEER achievable to >10
- New 4 series flow box with 50 m run
- New 4- and 6-port multi-flow boxes

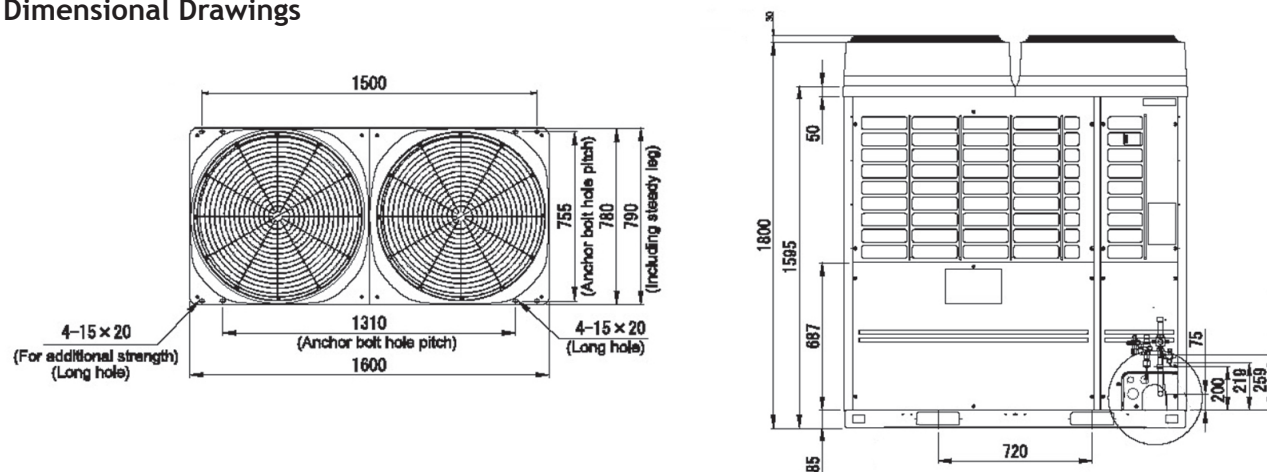


#### Technical Data

| Model reference                       |                   | MMY-MAP1806FT8P        |
|---------------------------------------|-------------------|------------------------|
| Nominal cooling                       | kW                | 50.4                   |
| Nominal heating                       | kW                | 56.5                   |
| Capacity code                         |                   | 18                     |
| Min./max. capacities connectable      | kW                | 40.32/68.04            |
| Power input (cool/heat)               | kW                | 16.0/13.7              |
| SEER/ESEER Value (Office Profile)     |                   | 7.36/7.86              |
| SCOP/ES COP Value (Office Profile)    |                   | 4.62/4.82              |
| Starting current                      | A                 | 1                      |
| Running current (cool/heat)           | A                 | 25.10/21.49            |
| MCA (minimum circuit amps)            | A                 | 44.9                   |
| MOCP (maximum overcurrent protection) | A                 | 50.0                   |
| Power supply                          | V-ph-Hz           | 380/415-3-50           |
| Interconnecting cable                 |                   | 2-core screened 1.5 mm |
| Sound power (cool/heat)               | dB(A)             | 83/84                  |
| Sound pressure (cool/heat)            | dB(A)             | 61/62                  |
| Standard air flow                     | m <sup>3</sup> /h | 17300                  |
| Standard air flow                     | l/s               | 4806                   |
| External static pressure              | Pa                | 40                     |
| Maximum indoor units connectable      |                   | 40                     |
| Dimensions (H x W x D)                | mm                | 1830 x 1600 x 780      |
| Unit weight                           | kg                | 377                    |
| R410A refrigerant base charge         | kg                | 11                     |

Note: The electrical installation needs to meet current electrical regulations BS7671:2018 the 18th Edition of the IET regulations.

#### Dimensional Drawings



Cool Designs Ltd

Raising the Standards in Air Conditioning Distribution

www.cdlweb.info

