

Toshiba Air Conditioning - VRF Data Sheet

MMY-MAP1606FT8P

Three-pipe SHRMe - Super Heat Recovery Condensing Unit

Features

- Dual setpoint for more precision
- ESEER increased to >8
- UK-SEER achievable to >10
- New 4 series flow box with 50 m run
- New 4- and 6-port multi-flow boxes

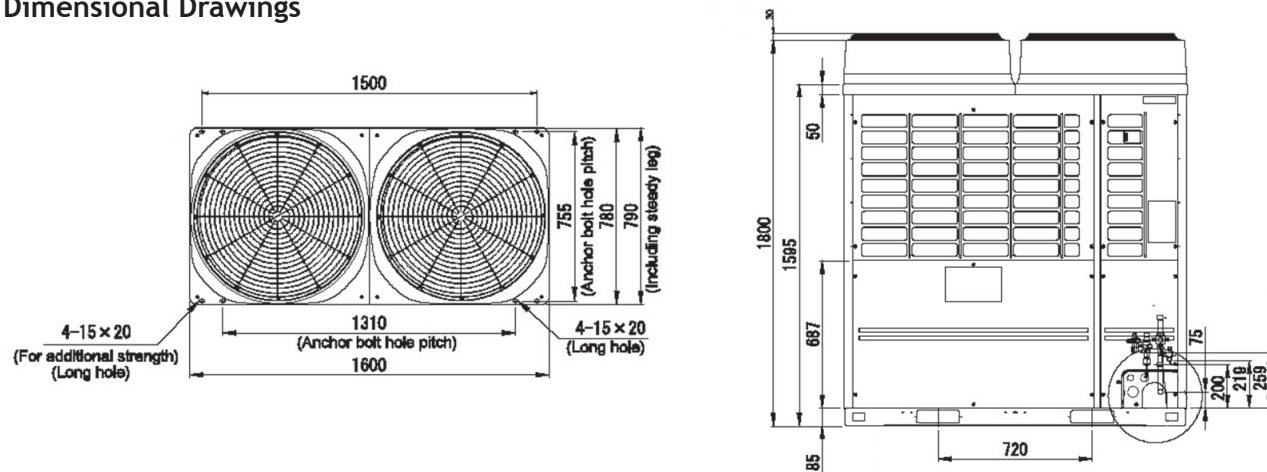


Technical Data

Model reference		MMY-MAP1606FT8P
Nominal cooling	kW	45.0
Nominal heating	kW	50.0
Capacity code		16
Min./max. capacities connectable	kW	36.00/60.75
Power input (cool/heat)	kW	13.9/12.2
SEER/ESEER Value (Office Profile)		7.62/8.17
SCOP/ES COP Value (Office Profile)		4.62/4.82
Starting current	A	1
Running current (cool/heat)	A	21.81/19.14
MCA (minimum circuit amps)	A	40.6
MOCP (maximum overcurrent protection)	A	50.0
Power supply	V-ph-Hz	380/415-3-50
Interconnecting cable		2-core screened 1.5 mm
Sound power (cool/heat)	dB(A)	83/84
Sound pressure (cool/heat)	dB(A)	61/62
Standard air flow	m ³ /h	17300
Standard air flow	l/s	4806
External static pressure	Pa	40
Maximum indoor units connectable		36
Dimensions (H x W x D)	mm	1830 x 1600 x 780
Unit weight	kg	377
R410A refrigerant base charge	kg	11

Note: The electrical installation needs to meet current electrical regulations BS7671:2018 the 18th Edition of the IET regulations.

Dimensional Drawings



Cool Designs Ltd

Raising the Standards in Air Conditioning Distribution

www.cdlweb.info



All UK duties are based on Cooling Indoor air temperature 22°C DB/16°C WB Outdoor air temperature 28°C DB 50% RH, high fan speed, 5 m pipe run. Heating Indoor air temperature 21°C DB Outdoor air temperature -4°C DB 100% RH, high fan speed, 5 m pipe run. Values are based on the maximum compressor output. Data obtained from Toshiba Air Conditioning Web Data July 2019.