

## Toshiba Air Conditioning - VRF Data Sheet

### MMY-MAP1206FT8P

### Three-pipe SHRMe - Super Heat Recovery Condensing Unit

#### Features

- Dual setpoint for more precision
- ESEER increased to >8
- UK-SEER achievable to >10
- New 4 series flow box with 50 m run
- New 4- and 6-port multi-flow boxes

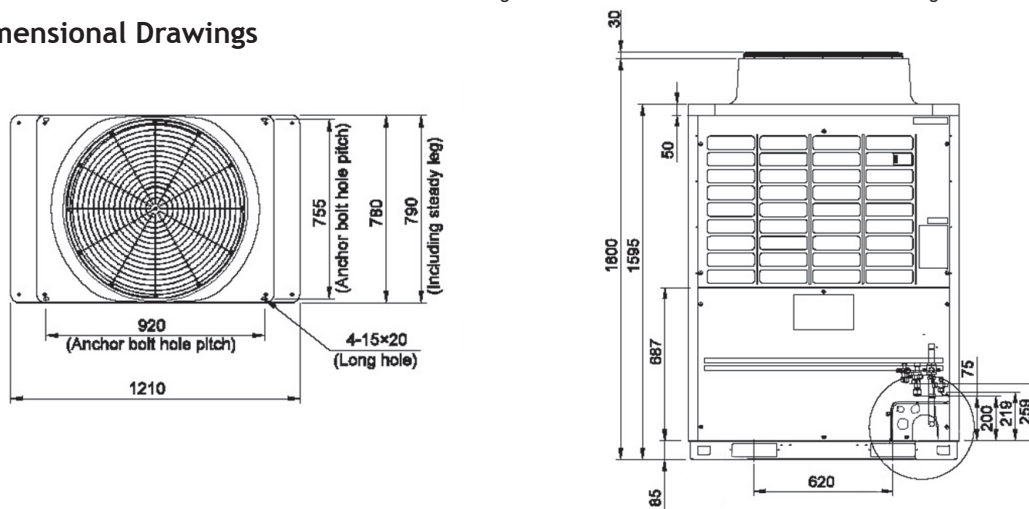


#### Technical Data

Model reference		MMY-MAP1206FT8P
Nominal cooling	kW	33.5
Nominal heating	kW	37.5
Capacity code		12
Min./max. capacities connectable	kW	26.8/45.2
Power input (cool/heat)	kW	9.75/8.70
SEER/ESEER Value (Office Profile)		7.50/8.01
SCOP/ESCOP Value (Office Profile)		5.04/5.28
Starting current	A	1
Running current (cool/heat)	A	15.46/13.80
MCA (minimum circuit amps)	A	31.0
MOCP (maximum overcurrent protection)	A	40.0
Power supply	V-ph-Hz	380/415-3-50
Interconnecting cable		2-core screened 1.5 mm
Sound power (cool/heat)	dB(A)	80/82
Sound pressure (cool/heat)	dB(A)	60/62
Standard air flow	m <sup>3</sup> /h	12200
Standard air flow	l/s	3389
External static pressure	Pa	50
Maximum indoor units connectable		27
Dimensions (H x W x D)	mm	1830 x 1210 x 780
Unit weight	kg	316
R410A refrigerant base charge	kg	11

Note: The electrical installation needs to meet current electrical regulations BS7671:2018 the 18th Edition of the IET regulations.

#### Dimensional Drawings



## Cool Designs Ltd

Raising the Standards in Air Conditioning Distribution

www.cdlweb.info

