

Toshiba Air Conditioning - VRF Data Sheet

MMY-MAP0806FT8P-UK

Three-pipe SHRMe - Super Heat Recovery Condensing Unit



Features

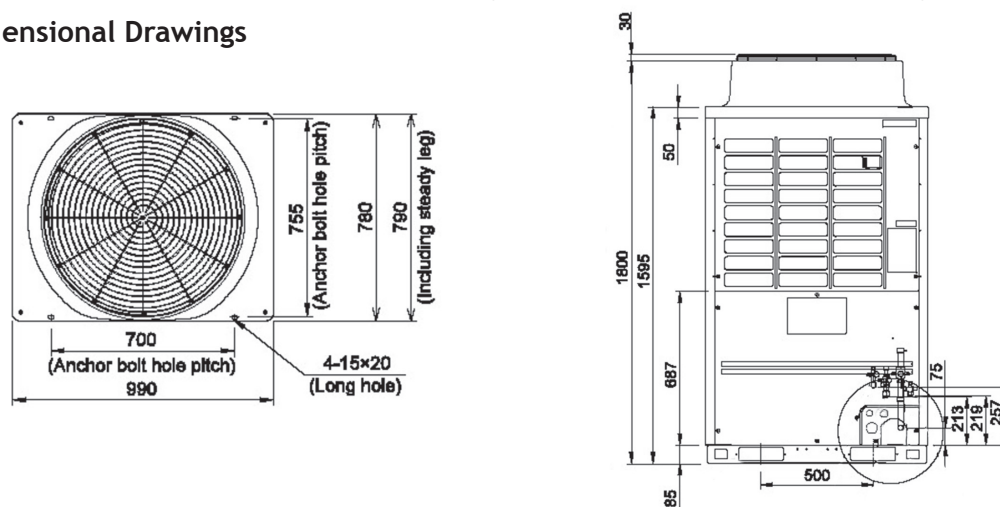
- Dual setpoint for more precision
- ESEER increased to >8
- UK-SEER achievable to >10
- New 4 series flow box with 50 m run
- New 4- and 6-port multi-flow boxes

Technical Data

Model reference		MMY-MAP0806FT8P-UK
Nominal cooling	kW	22.4
Nominal heating	kW	25.0
Capacity code		8
Min./max. capacities connectable	kW	17.92/30.24
Power input (cool/heat)	kW	5.95/5.40
SEER/ESEER Value (Office Profile)		7.61/8.05
SCOP/ESCOP Value (Office Profile)		5.27/5.49
Starting current	A	1
Running current (cool/heat)	A	9.44/8.57
MCA (minimum circuit amps)	A	21.5
MOCP (maximum overcurrent protection)	A	25.0
Power supply	V-ph-Hz	380/415-3-50
Interconnecting cable		2-core screened 1.5 mm
Sound power (cool/heat)	dB(A)	80/82
Sound pressure (cool/heat)	dB(A)	59/61
Standard air flow	m ³ /h	9700
Standard air flow	l/s	2694
External static pressure	Pa	60
Maximum indoor units connectable		18
Dimensions (H x W x D)	mm	1830 x 990 x 780
Unit weight	kg	263
R410A refrigerant base charge	kg	11

Note: The electrical installation needs to meet current electrical regulations BS7671:2018 the 18th Edition of the IET regulations.

Dimensional Drawings



Cool Designs Ltd

Raising the Standards in Air Conditioning Distribution

www.cdlweb.info

