

Toshiba Air Conditioning - Estia Split Data Sheet

HWS-805XWHT9-E Estia Split - Air-to-Water Heat Pump



Features

- High energy efficiency providing enhanced energy savings
- Quick and easy to install
- Large screen remote controller - simple, intuitive and easy to use
- Best in class performances

Hydro Unit Performance Data

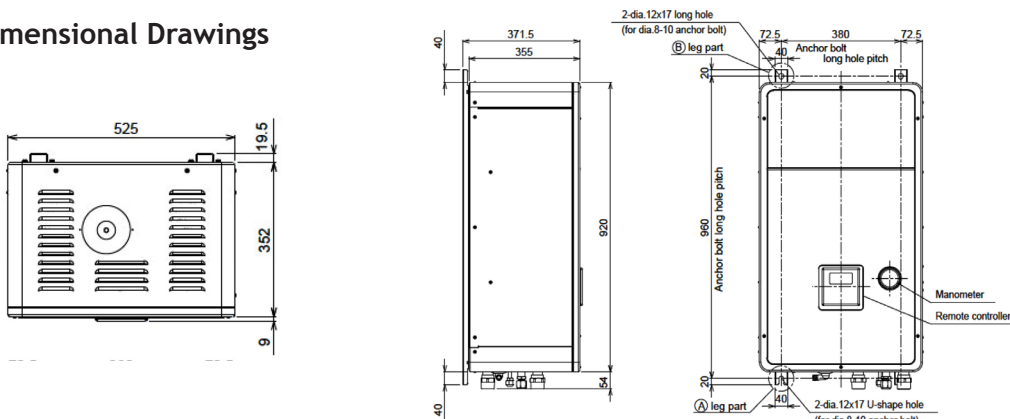
Hydro unit combination		HWS-805XWHT9-E
Outdoor unit		HWS-805H-E
Seasonal space heating energy efficiency low temperature		
Energy efficiency class - low temperature		A++
Seasonal space heating energy efficiency (η_s)	%	161
SCOP		4.10
Under floor heating - air 7°C, water 35°C		
Maximum heating capacity	kW	8.52
Nominal heating capacity	kW	8.00
COP	W/W	4.46
Under floor heating - air -7°C, water 35°C		
Maximum heating capacity	kW	5.74
Heating capacity*	kW	5.00
COP	W/W	2.70
Under floor heating - air -15°C, water 35°C		
Maximum heating capacity	kW	4.47
Heating capacity*	kW	4.28
COP	W/W	2.68
Radiators heating - air 7°C, water 45°C		
Maximum heating capacity	kW	8.13
Radiators heating - air -7°C, water 45°C		
Maximum heating capacity	kW	5.55
Radiators heating - air -15°C, water 45°C		
Maximum heating capacity	kW	4.31
Seasonal space heating energy efficiency mid temperature		
Energy efficiency class - medium temperature		A++
Seasonal space heating energy efficiency (η_s)	%	127
SCOP		3.25
Radiators heating - air 7°C, water 55°C		
Maximum heating capacity	kW	7.93
Radiators heating - air -7°C, water 55°C		
Maximum heating capacity	kW	5.29
Nominal cooling capacity -air 35°C, water 7°C	kW	6.00
EER	W/W	3.10

Hydro Unit Physical Data

Hydro unit		HWS-805XWHT9-E
To be used with size		80
Electric back-up heater capacity	kW	9.0
Leaving water temperature space heating	°C	20-55
Leaving water temperature space cooling	°C	7-25
Dimensions (H x W x D)	mm	925 x 525 x 355
Weight	kg	49
Sound pressure level	dB(A)	27
Electric back-up heater supply	V-ph-Hz	380/400-3-50
Maximum current	A	13.0 x 3

Maximum heating capacities are shown at peak value during operation, at maximum compressor operating range in accordance with EN14511. Nominal heating capacities are given at water delta T 5 K and rated compressor operating frequency in accordance with EN14511.
* Heating capacities at -7°C are shown at maximum compressor operating frequency in accordance with EN14511.
Energy efficiency class and Seasonal space heating energy efficiency (η_s) are provided for average climate conditions in accordance with EN14825.

Dimensional Drawings



Cool Designs Ltd

Raising the Standards in Air Conditioning Distribution

www.cdlweb.info

