

Toshiba Air Conditioning - VRF Data Sheet

MMY-MAP1406HT8P-E

Two-pipe SMMSe - Heat Pump Condensing Unit

Features

- New DC twin rotary compressor with DLC coated vane
- Wave interface communication tool for Smartphone (Android) commissioning and data transfer
- Longer pipe lengths up to 1000 m
- Increased connectable capacity up to 64 indoor units
- New sub-cooling heat exchanger for improved energy efficiency
- High efficiency combinations 20 hp to 54 hp

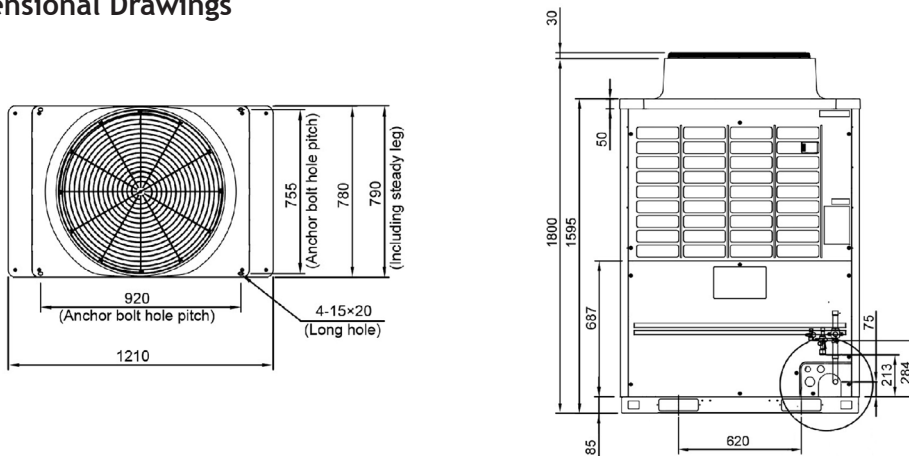


Technical Data

Model reference		MMY-MAP1406HT8P-E
Nominal cooling	kW	40.0
Nominal heating	kW	45.0
Capacity code		14
Min./max. capacities connectable	hp	7/18.9
Power input (cool/heat)	kW	12.3/11.2
SEER/ESEER Value (Office Profile)		6.96/7.71
SCOP/ESCOP Value (Office Profile)		5.21/5.31
Starting current	A	1
Running current (cool/heat)	A	19.5/17.8
MCA (minimum circuit amps)	A	31.0
MOCP (maximum overcurrent protection)	A	40.0
Power supply	V-ph-Hz	400-3-50
Interconnecting cable		2-core screened 1.5 mm
Sound power (cool/heat)	dB(A)	80/82
Sound pressure (cool/heat)	dB(A)	60/62
Standard air flow	m ³ /h	12200
Standard air flow	l/s	3389
Maximum indoor units connectable		31
Dimensions (H x W x D)	mm	1830 x 1210 x 780
Unit weight	kg	300
R410A refrigerant base charge	kg	11.5

Note: The electrical installation needs to meet current electrical regulations BS7671:2018 the 18th Edition of the IET regulations.

Dimensional Drawings



Cool Designs Ltd

Raising the Standards in Air Conditioning Distribution

www.cdlweb.info

