

Toshiba Air Conditioning - VRF Data Sheet

MMY-MAP1206HT8P-E

Two-pipe SMMSe - Heat Pump Condensing Unit

Features

- New DC twin rotary compressor with DLC coated vane
- Wave interface communication tool for Smartphone (Android) commissioning and data transfer
- Longer pipe lengths up to 1000 m
- Increased connectable capacity up to 64 indoor units
- New sub-cooling heat exchanger for improved energy efficiency
- High efficiency combinations 20 hp to 54 hp

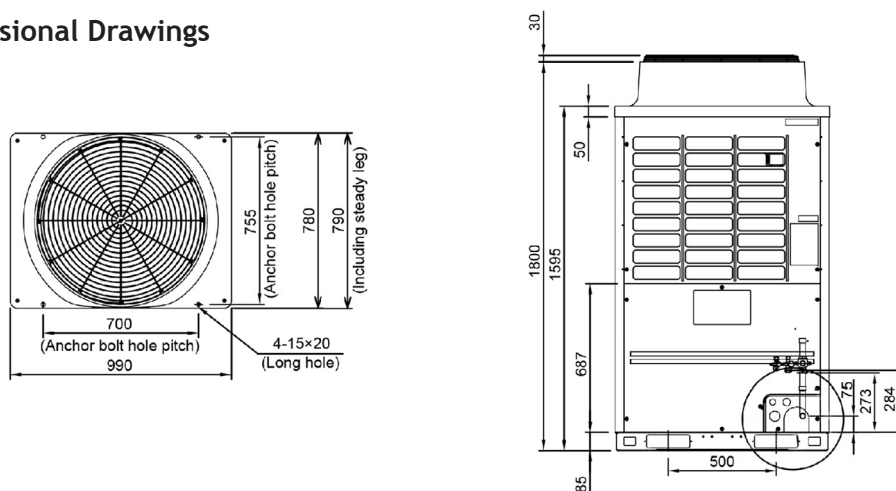


Technical Data

Model reference		MMY-MAP1206HT8P-E
Nominal cooling	kW	33.5
Nominal heating	kW	37.5
Capacity code		12
Min./max. capacities connectable	hp	6/16.2
Power input (cool/heat)	kW	10.0/9.65
SEER/ESEER Value (Office Profile)		7.23/8.03
SCOP/ESCOP Value (Office Profile)		5.03/5.42
Starting current	A	1
Running current (cool/heat)	A	15.5/15.0
MCA (minimum circuit amps)	A	26.1
MOCP (maximum overcurrent protection)	A	32.0
Power supply	V-ph-Hz	400-3-50
Interconnecting cable		2-core screened 1.5 mm
Sound power (cool/heat)	dB(A)	80/82
Sound pressure (cool/heat)	dB(A)	59/61
Standard air flow	m ³ /h	12200
Standard air flow	l/s	3389
Maximum indoor units connectable		27
Dimensions (H x W x D)	mm	1830 x 990 x 780
Unit weight	kg	242
R410A refrigerant base charge	kg	11.5

Note: The electrical installation needs to meet current electrical regulations BS7671:2018 the 18th Edition of the IET regulations.

Dimensional Drawings



Cool Designs Ltd

Raising the Standards in Air Conditioning Distribution

www.cdlweb.info



All UK duties are based on Cooling Indoor air temperature 27°C DB/19°C WB Outdoor air temperature 35°C DB 50% RH, high fan speed, 7.5 m pipe run. Heating Indoor air temperature 20°C DB Outdoor air temperature 7°C DB 100% RH, high fan speed, 7.5 m pipe run. Values are based on the maximum compressor output. Data obtained from Toshiba Air Conditioning July 2019.