

## Toshiba Air Conditioning - RAS Data Sheet

**RAS-B07J2KVG-E**  
**Seiya High-Wall Inverter**

**SEIYA**



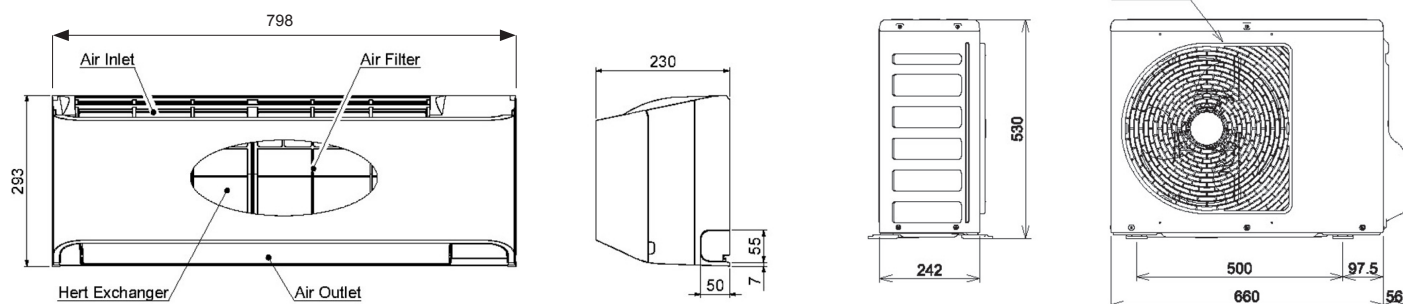
### Features

- Designed for use with refrigerant R32
- A new design that improves the energy efficiency of entry-tier level to A++/A+
- Extremely quiet operation down to as low as 19 dB(A)
- New high-wall with dustless heat exchanger for improved efficiency
- High-power, self-cleaning, ECO, off timer, swing and heating only compatibility
- Extra features with the optional controller: power select, comfort sleep, on-off timer, 8°C and weekly timer

### Technical Data

Model reference indoor unit		RAS-B07J2KVG-E
Nominal cooling	kW	2.0
Nominal heating	kW	2.5
UK cooling	kW	1.95
UK sensible cooling	kW	1.57
UK heating	kW	1.60
Sound pressure (high/low)	dB(A)	38/20
Air flow (high/low)	m <sup>3</sup> /h	534/234
Dimensions (H x W x D)	mm	293 x 798 x 230
Unit weight	kg	9
Model reference outdoor unit		RAS-07J2AVG-E
Maximum running current	A	3.25
Suggested fuse size	A	10
Power supply	V-ph-Hz	220/240-1-50
Interconnecting cable		3-core + earth
Sound pressure (cool/heat)	dB(A)	46/48
Air flow (high)	m <sup>3</sup> /h	1800
Dimensions (H x W x D)	mm	530 x 660 x 240
Unit weight	kg	22
Pipe sizes (liquid-suction)	inch	1/4-3/8
Maximum pipe length/height difference	m	15/12
Pre-charge pipe length	m	15
Factory charge	kg	0.4
EER/COP		3.77/3.91
SEER/SCOP		6.10/4.00

### Dimensional Drawings



**Cool Designs Ltd**

Raising the Standards in Air Conditioning Distribution

www.cdlweb.info

