

Toshiba Air Conditioning - RAS Data Sheet

RAS-B05J2KVG-E
Seiya High-Wall Inverter

SEIYA



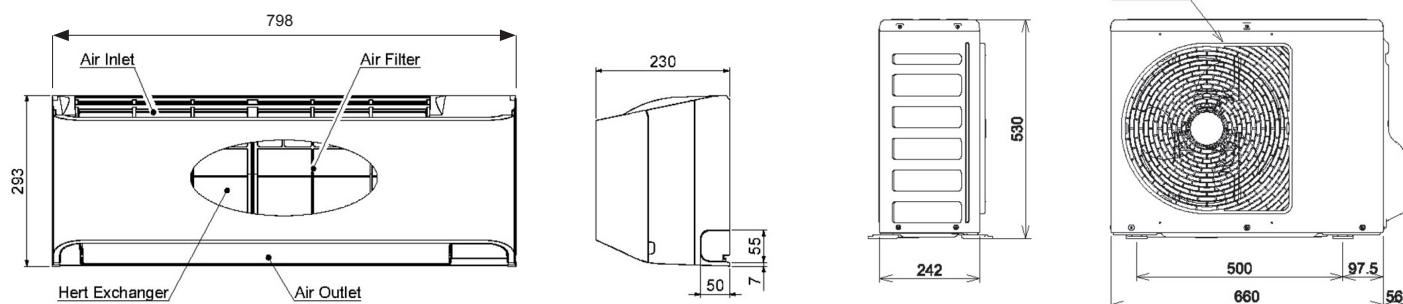
Features

- Designed for use with refrigerant R32
- A new design that improves the energy efficiency of entry-tier level to A++/A+
- Extremely quiet operation down to as low as 19 dB(A)
- New high-wall with dustless heat exchanger for improved efficiency
- High-power, self-cleaning, ECO, off timer, swing and heating only compatibility
- Extra features with the optional controller: power select, comfort sleep, on-off timer, 8°C and weekly timer

Technical Data

Model reference indoor unit		RAS-B05J2KVG-E
Nominal cooling	kW	1.5
Nominal heating	kW	2.0
UK cooling	kW	1.47
UK sensible cooling	kW	1.22
UK heating	kW	1.18
Sound pressure (high/low)	dB(A)	37/19
Air flow (high/low)	m ³ /h	522/234
Dimensions (H x W x D)	mm	293 x 798 x 230
Unit weight	kg	9
Model reference outdoor unit		RAS-05J2AVG-E
Maximum running current	A	2.40
Suggested fuse size	A	10
Power supply	V-ph-Hz	220/240-1-50
Interconnecting cable		3-core + earth
Sound pressure (cool/heat)	dB(A)	46/48
Air flow (high)	m ³ /h	1800
Dimensions (H x W x D)	mm	530 x 660 x 240
Unit weight	kg	22
Pipe sizes (liquid-suction)	inch	1/4-3/8
Maximum pipe length/height difference	m	15/12
Pre-charge pipe length	m	15
Factory charge	kg	0.4
EER/COP		4.05/4.26
SEER/SCOP		6.10/4.00

Dimensional Drawings



Cool Designs Ltd

Raising the Standards in Air Conditioning Distribution

www.cdlweb.info

