

## Toshiba Air Conditioning - RAS Data Sheet

### RAS-B16PKVSG-E Shorai High-Wall Inverter

#### Features

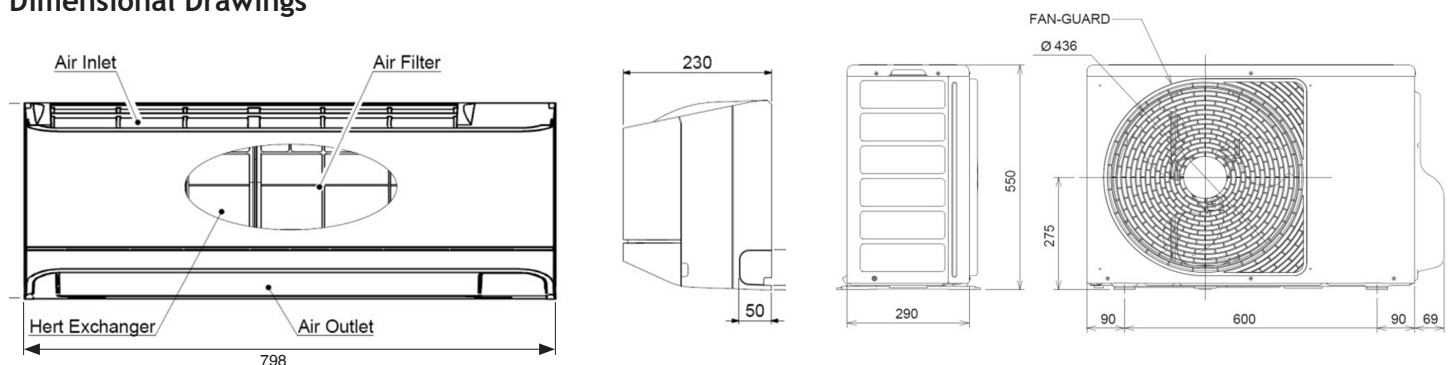
- Designed for use with refrigerant R32
- Class-leading energy saving
- Extremely low sound levels
- Capacity booster to reach comfort setpoint very quickly
- Power change button to reduce power consumption by up to 25%
- Self-cleaning function



#### Technical Data

Model reference indoor unit		RAS-B16PKVSG-E
Nominal cooling	kW	4.60
Nominal heating	kW	5.50
UK cooling	kW	4.49
UK sensible cooling	kW	3.56
UK heating	kW	3.59
Air flow (high/low)	m <sup>3</sup> /h	768/330
Sound pressure (high/low)	dB(A)	43/26
Dimensions (H x W x D)	mm	293 x 798 x 230
Unit weight	kg	10
Model reference outdoor unit		RAS-16PAVSG-E
Maximum run current	A	7.10
Suggested fuse size	A	16
Power supply	V-ph-Hz	220/240-1-50
Interconnecting cable		3-core + earth
Sound pressure (cool/heat)	dB(A)	49/52
Air flow (high)	m <sup>3</sup> /h	2160
Dimensions (H x W x D)	mm	550 x 780 x 290
Unit weight	kg	34
Pipe sizes (liquid-suction)	inch	1/4-1/2
Maximum pipe length/height difference	m	20/12
Pre-charge pipe length	m	15
Additional refrigerant - factory charge	g/m - kg	20 - 0.80
EER/COP		3.29/3.62
SEER/SCOP		6.50/4.20

#### Dimensional Drawings



Cool Designs Ltd

Raising the Standards in Air Conditioning Distribution

www.cdlweb.info



All UK duties are based on Cooling Indoor air temperature 23°C DB/16°C WB Outdoor air temperature 29°C DB 50% RH, high fan speed, 5 m pipe run.  
Heating Indoor air temperature 20°C DB Outdoor air temperature -5°C DB 100% RH, high fan speed, 5 m pipe run. Values are based on the maximum compressor output.  
Data obtained from Toshiba Air Conditioning Published Data July 2018.