

## Toshiba Air Conditioning - RAS Data Sheet

### RAS-B13PKVSG-E Shorai High-Wall Inverter

#### Features

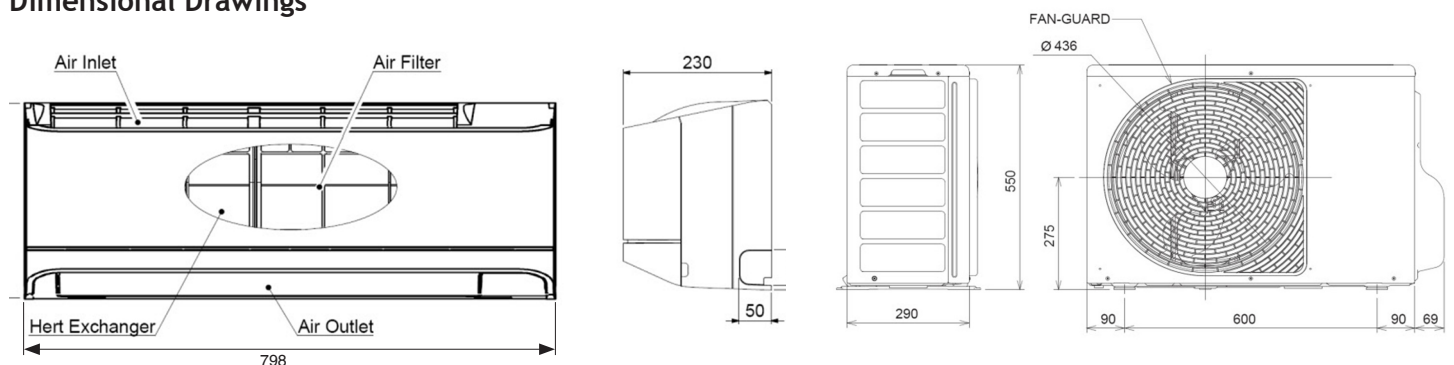
- Designed for use with refrigerant R32
- Class-leading energy saving
- Extremely low sound levels
- Capacity booster to reach comfort setpoint very quickly
- Power change button to reduce power consumption by up to 25%
- Self-cleaning function



#### Technical Data

Model reference indoor unit		RAS-B13PKVSG-E
Nominal cooling	kW	3.50
Nominal heating	kW	4.20
UK cooling	kW	3.42
UK sensible cooling	kW	2.74
UK heating	kW	2.61
Air flow (high/low)	m <sup>3</sup> /h	636/300
Sound pressure (high/low)	dB(A)	39/24
Dimensions (H x W x D)	mm	293 x 798 x 230
Unit weight	kg	10
Model reference outdoor unit		RAS-13PAVSG-E
Maximum run current	A	5.22
Suggested fuse size	A	10
Power supply	V-ph-Hz	220/240-1-50
Interconnecting cable		3-core + earth
Sound pressure (cool/heat)	dB(A)	48/50
Air flow (high)	m <sup>3</sup> /h	1980
Dimensions (H x W x D)	mm	550 x 780 x 290
Unit weight	kg	28
Pipe sizes (liquid-suction)	inch	1/4-3/8
Maximum pipe length/height difference	m	20/12
Pre-charge pipe length	m	15
Additional refrigerant - factory charge	g/m - kg	20 - 0.67
EER/COP		3.33/3.89
SEER/SCOP		6.50/4.60

#### Dimensional Drawings



Cool Designs Ltd

Raising the Standards in Air Conditioning Distribution

www.cdlweb.info

