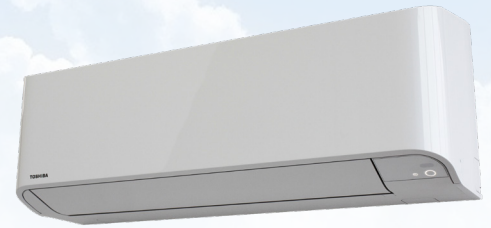


## Toshiba Air Conditioning - RAS Data Sheet

### RAS-24BKVG-E Mirai High-Wall Inverter



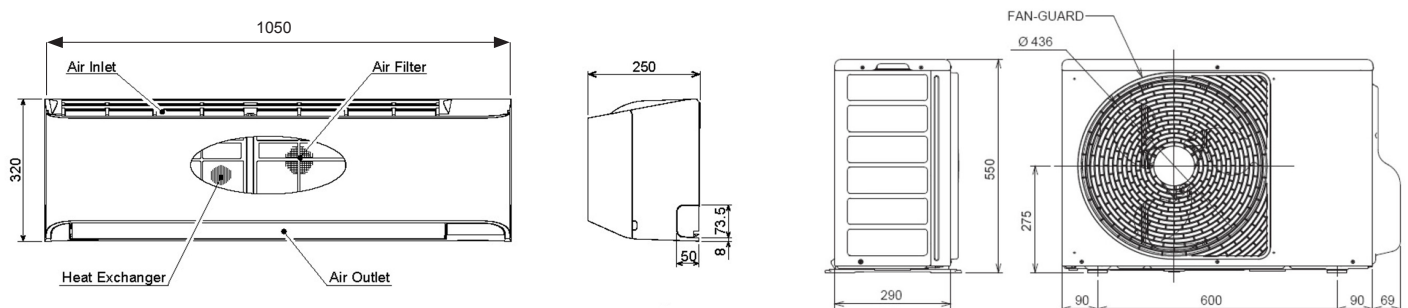
#### Features

- Designed for use with refrigerant R32
- A new design that improves the energy efficiency of entry-tier level to A+/A+
- Operating range down to -15°C in cooling mode
- New high-wall with dustless heat exchanger and EZ service construction
- Self-diagnosis, hi-power, self-cleaning, ECO, off timer, swing and heating only compatibility
- Extra features with the optional controller: power select, comfort sleep, on-off timer, 8°C and weekly timer

#### Technical Data

| Model reference indoor unit           |                   | RAS-24BKVG-E     |
|---------------------------------------|-------------------|------------------|
| Nominal cooling                       | kW                | 6.5              |
| Nominal heating                       | kW                | 7.0              |
| UK cooling                            | kW                | 6.35             |
| UK sensible cooling                   | kW                | 4.40             |
| UK heating                            | kW                | 4.31             |
| Sound pressure (high/low)             | dB(A)             | 48/35            |
| Air flow (high/low)                   | m <sup>3</sup> /h | 1074/666         |
| Dimensions (H x W x D)                | mm                | 320 x 1050 x 250 |
| Unit weight                           | kg                | 14               |
| Model reference outdoor unit          |                   | RAS-24BAVG-E     |
| Maximum running current               | A                 | 10.55            |
| Suggested fuse size                   | A                 | 16               |
| Power supply                          | V-ph-Hz           | 220/240-1-50     |
| Interconnecting cable                 |                   | 3-core + earth   |
| Sound pressure (cool/heat)            | dB(A)             | 55/55            |
| Air flow (high)                       | m <sup>3</sup> /h | 2220             |
| Dimensions (H x W x D)                | mm                | 550 x 780 x 290  |
| Unit weight                           | kg                | 38               |
| Pipe sizes (liquid-suction)           | inch              | 1/4-1/2          |
| Maximum pipe length/height difference | m                 | 20/12            |
| Pre-charge pipe length                | m                 | 15               |
| Factory charge                        | kg                | 20               |
| EER/COP                               |                   | 2.89/3.33        |
| SEER/SCOP                             |                   | 6.10/4.00        |

#### Dimensional Drawings



Cool Designs Ltd

Raising the Standards in Air Conditioning Distribution

www.cdlweb.info

