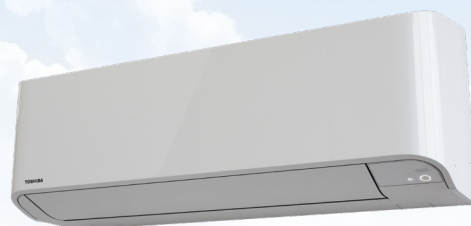


Toshiba Air Conditioning - RAS Data Sheet

RAS-B16BKVGE Mirai High-Wall Inverter



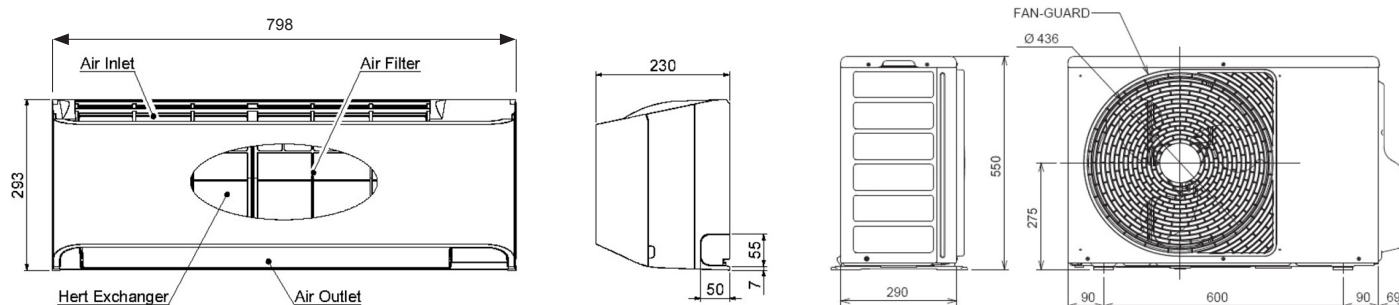
Features

- Designed for use with refrigerant R32
- A new design that improves the energy efficiency of entry-tier level to A+/A+
- Operating range down to -15°C in cooling mode
- New high-wall with dustless heat exchanger and EZ service construction
- Self-diagnosis, hi-power, self-cleaning, ECO, off timer, swing and heating only compatibility
- Extra features with the optional controller: power select, comfort sleep, on-off timer, 8°C and weekly timer

Technical Data

| Model reference indoor unit | | RAS-B16BKVGE |
|---------------------------------------|-------------------|-----------------|
| Nominal cooling | kW | 4.6 |
| Nominal heating | kW | 5.4 |
| UK cooling | kW | 4.49 |
| UK sensible cooling | kW | 3.36 |
| UK heating | kW | 3.33 |
| Sound pressure (high/low) | dB(A) | 43/25 |
| Air flow (high/low) | m ³ /h | 768/330 |
| Dimensions (H x W x D) | mm | 293 x 798 x 230 |
| Unit weight | kg | 10 |
| Model reference outdoor unit | | RAS-16BAVG-E |
| Maximum running current | A | 7.19 |
| Suggested fuse size | A | 16 |
| Power supply | V-ph-Hz | 220/240-1-50 |
| Interconnecting cable | | 3-core + earth |
| Sound pressure (cool/heat) | dB(A) | 50/52 |
| Air flow (high) | m ³ /h | 2160 |
| Dimensions (H x W x D) | mm | 550 x 780 x 290 |
| Unit weight | kg | 34 |
| Pipe sizes (liquid-suction) | inch | 1/4-1/2 |
| Maximum pipe length/height difference | m | 20/12 |
| Pre-charge pipe length | m | 15 |
| Factory charge | kg | 20 |
| EER/COP | | 3.01/3.48 |
| SEER/SCOP | | 6.20/4.20 |

Dimensional Drawings



Cool Designs Ltd

Raising the Standards in Air Conditioning Distribution

www.cdlweb.info

