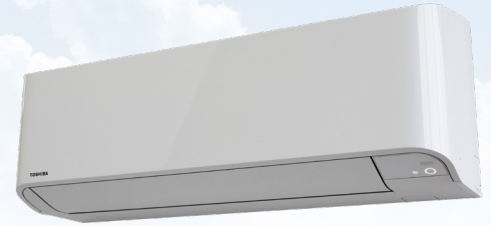


Toshiba Air Conditioning - RAS Data Sheet

RAS-B13BKVG-E Mirai High-Wall Inverter



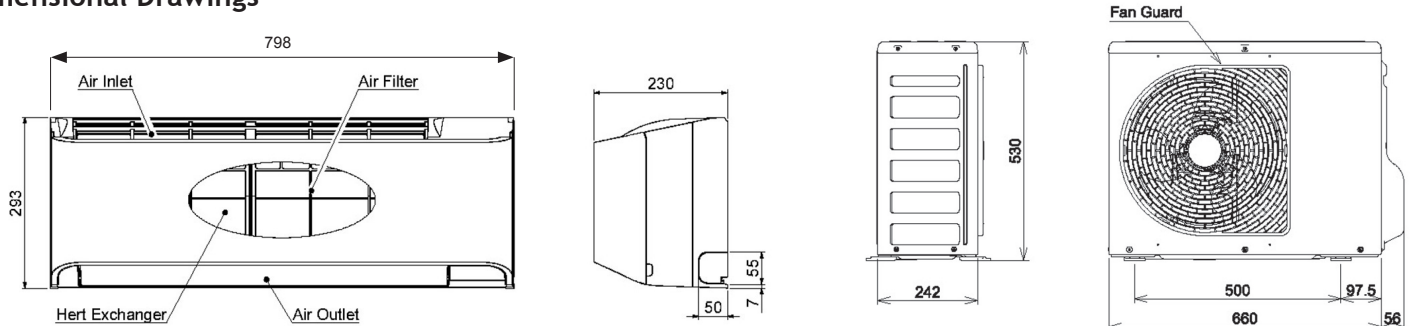
Features

- Designed for use with refrigerant R32
- A new design that improves the energy efficiency of entry-tier level to A+/A+
- Operating range down to -15°C in cooling mode
- New high-wall with dustless heat exchanger and EZ service construction
- Self-diagnosis, hi-power, self-cleaning, ECO, off timer, swing and heating only compatibility
- Extra features with the optional controller: power select, comfort sleep, on-off timer, 8°C and weekly timer

Technical Data

Model reference indoor unit		RAS-B13BKVG-E
Nominal cooling	kW	3.3
Nominal heating	kW	3.6
UK cooling	kW	3.22
UK sensible cooling	kW	2.49
UK heating	kW	2.20
Sound pressure (high/low)	dB(A)	42/24
Air flow (high/low)	m ³ /h	618/264
Dimensions (H x W x D)	mm	293 x 798 x 230
Unit weight	kg	9
Model reference outdoor unit		RAS-13BAVG-E1
Maximum running current	A	5.50
Suggested fuse size	A	10
Power supply	V-ph-Hz	220/240-1-50
Interconnecting cable		3-core + earth
Sound pressure (cool/heat)	dB(A)	50/51
Air flow (high)	m ³ /h	1980
Dimensions (H x W x D)	mm	530 x 660 x 240
Unit weight	kg	23
Pipe sizes (liquid-suction)	inch	1/4-3/8
Maximum pipe length/height difference	m	15/12
Pre-charge pipe length	m	15
Factory charge	kg	N/A
EER/COP		2.92/3.75
SEER/SCOP		5.60/4.00

Dimensional Drawings



Cool Designs Ltd

Raising the Standards in Air Conditioning Distribution

www.cdlweb.info



All UK duties are based on Cooling Indoor air temperature 22°C DB/16°C WB Outdoor air temperature 28°C DB 50% RH, high fan speed, 5 m pipe run.
Heating Indoor air temperature 20°C DB Outdoor air temperature -5°C DB 100% RH, high fan speed, 5 m pipe run. Values are based on the maximum compressor output.
Data obtained from Toshiba Air Conditioning Published Data July 2018.