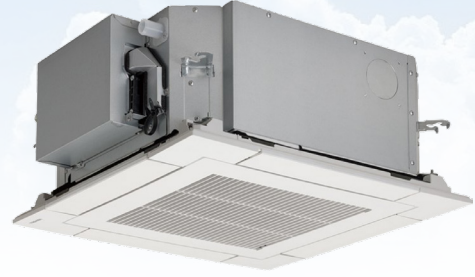


Toshiba Air Conditioning - RAV-RM Data Sheet

RAV-RM301MUT-E Compact 4-Way Cassette

Features

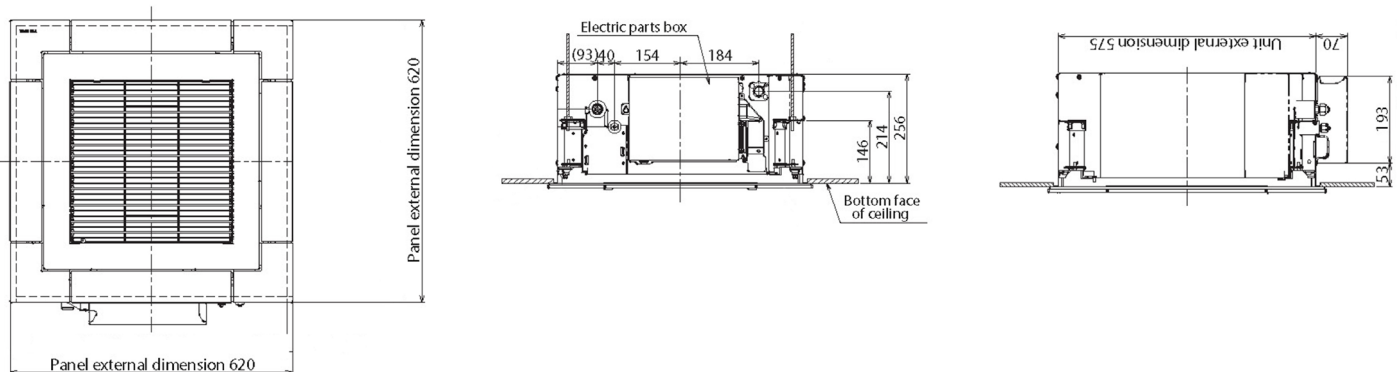
- New elegant flat panel design
- Perfect grid ceiling fitment
- Compact thin chassis
- Individual louvre control
- 5-step air flow control



Technical Data

Model reference		RAV-RM301MUT-E	
Nominal	Cooling Capacity	kW	2.5
	Heating Capacity	kW	3.4
	EER/COP	W/W	4.24/4.47
UK	Cooling Total/Sensible	kW	2.40/1.95
	Heating	kW	2.18
Cooling EN14825	Range Min. - Max.	kW	0.9 - 3.0
	Power Input	kW	0.59
	Pdesign	kW	2.5
	SEER/Energy Efficiency Class		5.94/A++
	Seasonal Energy Consumption	kWh/a	158
Heating EN14825	Range Min. - Max.	kW	0.8 - 4.5
	Power Input	kW	0.76
	Pdesign	kW	2.3
	SCOP/Energy Efficiency Class		4.7/A++
	Seasonal Energy Consumption	kWh/a	705
Air Flow	High - Medium - Low	l/s	178 - 144 - 122
	High - Medium - Low	m ³ /h	640 - 520 - 440
Sound	Pressure High - Medium - Low	dB(A)	38 - 36 - 30
	Power High - Medium - Low	dB(A)	53 - 51 - 45
Unit	Height x Width x Depth	mm	256 x 575 x 575
	Weight	kg	15
Panel	Height x Width x Depth	mm	12 x 620 x 620
	Weight RBC-UM21PG(W)-E	kg	2.5
Pipe Connection	Flare Connections (gas - liquid)	inch	3/8 - 1/4
	Drain Pipe Connection OD/ID	mm	VP26/20
Remote Controller			RBC-AMT32E
Power Cable	Outdoor to Indoor		3 core + earth

Dimensional Drawings



Cool Designs Ltd

Raising the Standards in Air Conditioning Distribution

www.cdlweb.info

