

Toshiba Air Conditioning - RAS Data Sheet

RAS-B10U2FVG-E Bi-Flow Console Inverter

Features

- Designed for use with refrigerant R32
- Bi-flow (two air outlets for flow intensity)
- Fits perfectly under a standard window sill
- New Toshiba IAQ filtration system
- Auto-diagnostic function
- Unique floor heating function

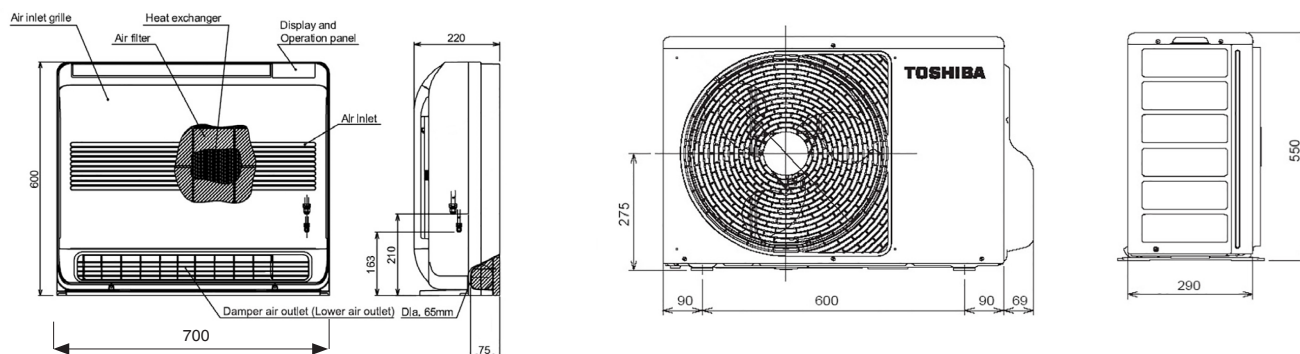


Technical Data

Model reference indoor unit		RAS-B10U2FVG-E
Nominal cooling	kW	2.7
Nominal heating	kW	4.0
UK cooling	kW	2.44
UK sensible cooling	kW	2.03
UK heating	kW	2.05
Air flow (high/low)	m ³ /h	510/258
Sound pressure (high/low)	dB(A)	39/26
Dimensions (H x W x D)	mm	600 x 700 x 220
Unit weight	kg	13
Model reference outdoor unit		RAS-10PAVSG-E
Maximum run current	A	3.97
Suggested fuse size	A	10
Power supply	V-ph-Hz	220/240-1-50
Interconnecting cable		3-core + earth
Sound pressure (cool/heat)	dB(A)	46/47
Air flow (high)	m ³ /h	1668
Dimensions (H x W x D)	mm	550 x 780 x 290
Unit weight	kg	28
Pipe sizes (liquid-suction)	inch	1/4-3/8
Maximum pipe length/height difference	m	20/12
Pre-charge pipe length	m	15
Additional refrigerant - factory charge	g/m - kg	20 - 0.51
EER/COP		-* / -*
SEER/SCOP		-* / 2.5

* Waiting for published data.

Dimensional Drawings



Cool Designs Ltd

Raising the Standards in Air Conditioning Distribution

www.cdlweb.info



All UK duties are based on Cooling Indoor air temperature 22°C DB/16°C WB Outdoor air temperature 28°C DB 50% RH, high fan speed, 5 m pipe run.
Heating Indoor air temperature 20°C DB Outdoor air temperature -5°C DB 100% RH, high fan speed, 5 m pipe run. Values are based on the maximum compressor output.
Data obtained from Toshiba Air Conditioning Published Data July 2018.