

## Toshiba Air Conditioning - RAV-RM Data Sheet

### RAV-RM801UTP-E 4-Way Cassette

#### Features

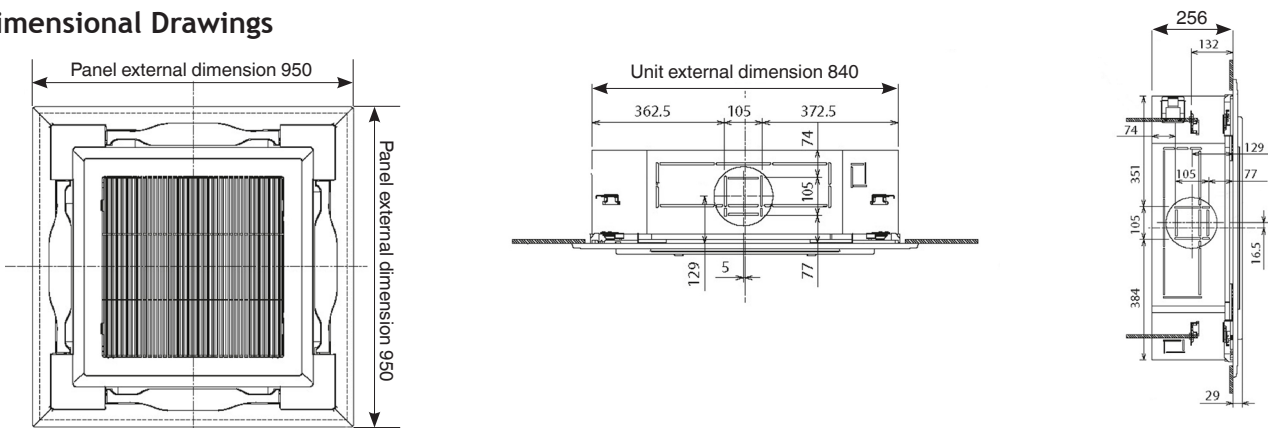
- Redesigned for use with refrigerant R32
- Self-cleaning function
- Lift pump up to 850 mm lift
- Individual setting of louvre position
- Wireless remote control and optional wired remote controller and timer



#### Technical Data

Model reference			RAV-RM801UTP-E
Nominal	Cooling Capacity	kW	6.7
	Heating Capacity	kW	7.7
	EER/COP	W/W	3.02/3.62
UK	Cooling Total/Sensible	kW	6.40/4.80
	Heating	kW	5.51
Cooling EN14825	Range Min. - Max.	kW	1.5 - 8.0
	Power Input	kW	2.22
	Pdesign	kW	6.7
	SEER/Energy Efficiency Class		5.81/A+
	Seasonal Energy Consumption	kWh/a	404
Heating EN14825	Range Min. - Max.	kW	1.5 - 9.0
	Power Input	kW	2.13
	Pdesign	kW	5.1
	SCOP/Energy Efficiency Class		4.42/A+
	Seasonal Energy Consumption	kWh/a	2349
Air Flow	High - Medium - Low	l/s	342 - 267 - 225
	High - Medium - Low	m <sup>3</sup> /h	1230 - 960 - 810
Sound	Pressure High - Medium - Low	dB(A)	35 - 31 - 28
	Power High - Medium - Low	dB(A)	50 - 46 - 43
Unit	Height x Width x Depth	mm	256 x 840 x 840
	Weight	kg	20
Panel	Height x Width x Depth	mm	30 x 950 x 950
	Weight RBC-UM31PGP(W)-E	kg	4.2
Pipe Connection	Flare Connections (gas - liquid)	inch	5/8 - 3/8
	Drain Pipe Connection OD/ID	mm	VP32/25
Remote Controller			RBC-AMT32E
Power Cable	Outdoor to Indoor		3 core + earth

#### Dimensional Drawings



Cool Designs Ltd

Raising the Standards in Air Conditioning Distribution

[www.cdlweb.info](http://www.cdlweb.info)

