

Toshiba Air Conditioning - RAV-RM Data Sheet

RAV-RM561UTP-E 4-Way Cassette

Features

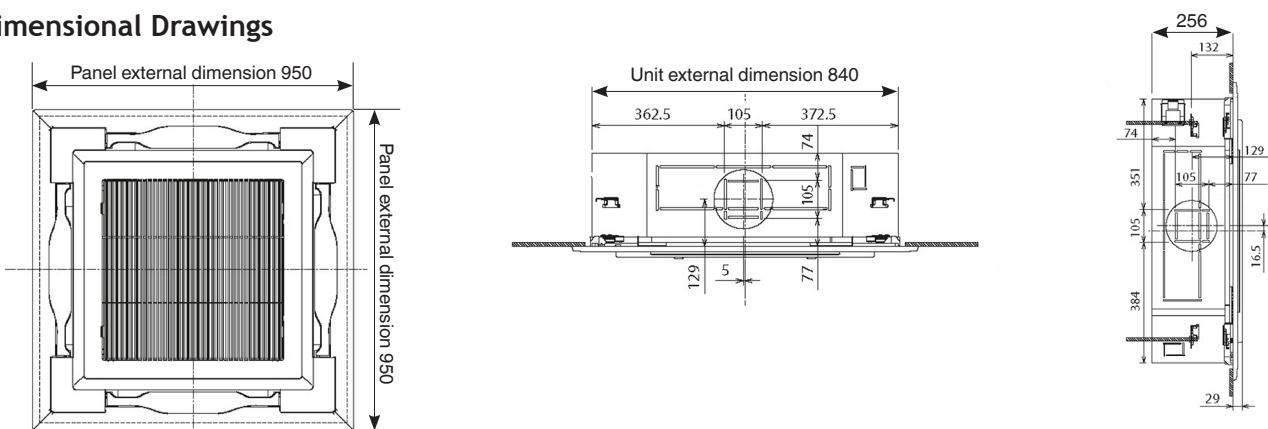
- Redesigned for use with refrigerant R32
- Self-cleaning function
- Lift pump up to 850 mm lift
- Individual setting of louvre position
- Wireless remote control and optional wired remote controller and timer



Technical Data

Model reference			RAV-RM561UTP-E
Nominal	Cooling Capacity	kW	5.0
	Heating Capacity	kW	5.3
	EER/COP	W/W	3.21/3.9
UK	Cooling Total/Sensible	kW	4.80/3.60
	Heating	kW	3.79
Cooling EN14825	Range Min. - Max.	kW	1.5 - 5.6
	Power Input	kW	1.56
	Pdesign	kW	5.0
	SEER/Energy Efficiency Class		6.34/A++
	Seasonal Energy Consumption	kWh/a	285
Heating EN14825	Range Min. - Max.	kW	1.5 - 6.3
	Power Input	kW	1.36
	Pdesign	kW	2.8
	SCOP/Energy Efficiency Class		4.60/A+
	Seasonal Energy Consumption	kWh/a	1459
Air Flow	High - Medium - Low	l/s	292 - 242 - 217
	High - Medium - Low	m ³ /h	1050 - 870 - 780
Sound	Pressure High - Medium - Low	dB(A)	32 - 29 - 28
	Power High - Medium - Low	dB(A)	47 - 44 - 43
Unit	Height x Width x Depth	mm	256 x 840 x 840
	Weight	kg	20
Panel	Height x Width x Depth	mm	30 x 950 x 950
	Weight RBC-UM31PGP(W)-E	kg	4.2
Pipe Connection	Flare Connections (gas - liquid)	inch	1/2 - 1/4
	Drain Pipe Connection OD/ID	mm	VP32/25
Remote Controller			RBC-AMT32E
Power Cable	Outdoor to Indoor		3 core + earth

Dimensional Drawings



Cool Designs Ltd

Raising the Standards in Air Conditioning Distribution

www.cdlweb.info

