

Toshiba Air Conditioning - RAV-RM Data Sheet

RAV-RM1401UTP-E 4-Way Cassette

Features

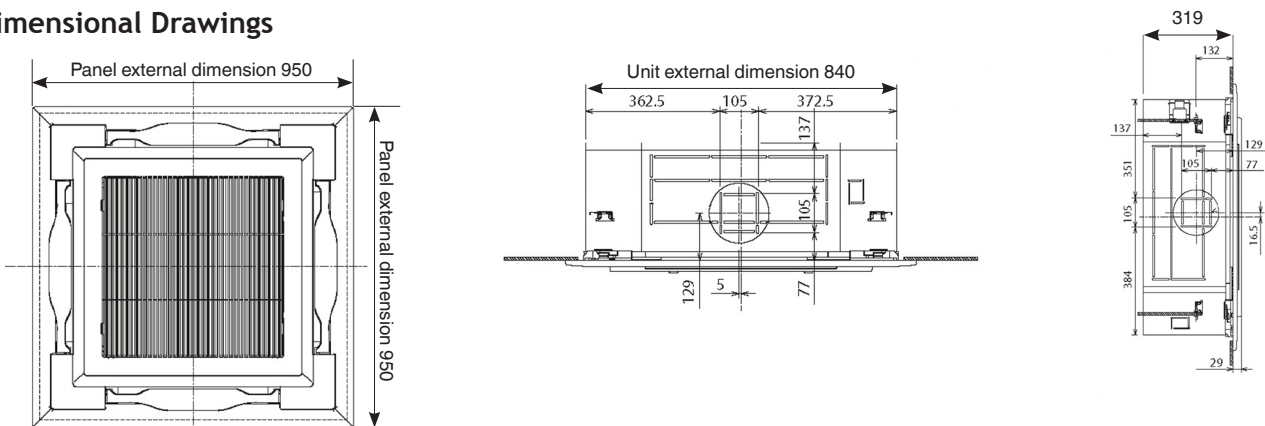
- Redesigned for use with refrigerant R32
- Self-cleaning function
- Lift pump up to 850 mm lift
- Individual setting of louvre position
- Wireless remote control and optional wired remote controller and timer



Technical Data

Model reference		RAV-RM1401UTP-E	
Nominal	Cooling Capacity	kW	12.0
	Heating Capacity	kW	12.8
	EER/COP	W/W	2.8/3.76
UK	Cooling Total/Sensible	kW	11.40/8.80
	Heating	kW	9.30
Cooling EN14825	Range Min. - Max.	kW	3.0 - 13.2
	Power Input	kW	3.57
	Pdesign	kW	12.0
	SEER/Energy Efficiency Class		5.71/A+
	Seasonal Energy Consumption	kWh/a	783
Heating EN14825	Range Min. - Max.	kW	3.0 - 16.0
	Power Input	kW	3.46
	Pdesign	kW	8.0
	SCOP/Energy Efficiency Class		4.29/A+
	Seasonal Energy Consumption	kWh/a	2672
Air Flow	High - Medium - Low	l/s	583 - 400 - 342
	High - Medium - Low	m³/h	2100 - 1440 - 1230
Sound	Pressure High - Medium - Low	dB(A)	44 - 38 - 34
	Power High - Medium - Low	dB(A)	59 - 53 - 49
Unit	Height x Width x Depth	mm	319 x 840 x 840
	Weight	kg	24
Panel	Height x Width x Depth	mm	30 x 950 x 950
	Weight RBC-UM31PGP(W)-E	kg	4.2
Pipe Connection	Flare Connections (gas - liquid)	inch	5/8 - 3/8
	Drain Pipe Connection OD/ID	mm	VP32/25
Remote Controller			RBC-AMT32E
Power Cable	Outdoor to Indoor		3 core + earth

Dimensional Drawings



Cool Designs Ltd

Raising the Standards in Air Conditioning Distribution

www.cdlweb.info

