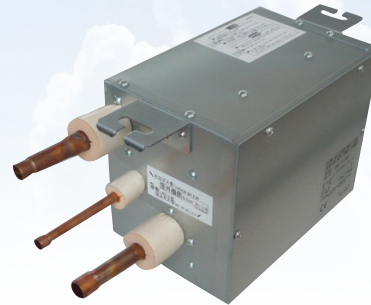


## Toshiba Air Conditioning - VRF Data Sheet

### RBM-Y1123FE Flow Selector Box

#### Features

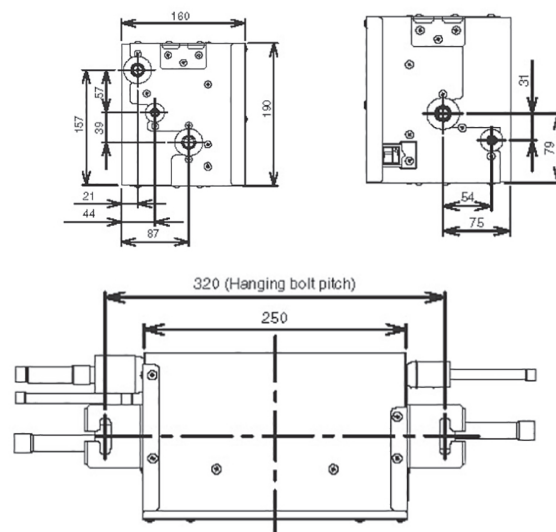
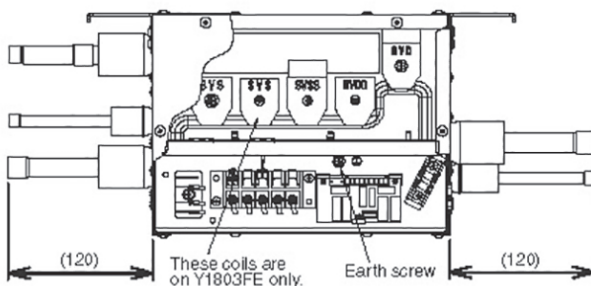
- Compact size, 190 x 490 x 160 mm
- Lightweight 5 kg
- Up to 5 indoor units from one Flow Selector Box
- All braze joints
- Easy service access



#### Technical Data

Model reference		RBM-Y1123FE
Power supply	V-ph-Hz	220/240-1-50
Connectable indoor capacity	HP	Below 4.0
Connectable indoor units	Qty	5
Dimensions (H x W x D)	mm	190 x 490 x 160
Unit weight	kg	5
Connection port diameter (indoor side)		Braze
Liquid pipe	inch	3/8
Suction pipe	inch	5/8
Connection port diameter (outdoor side)		Braze
Liquid pipe	inch	3/8
Discharge pipe	inch	1/2
Suction pipe	inch	5/8
Interconnecting cable (supplied)		
Power cable		3 core x 5 m
Communication cable		5 core x 5 m

#### Dimensional Drawings



Cool Designs Ltd

Raising the Standards in Air Conditioning Distribution

[www.cdlweb.info](http://www.cdlweb.info)

