

wall mounted LF range



Wireless R.C.

These larger capacity wall mounted systems are particularly suitable for bigger projects. The Fujitsu LF wall mounted air conditioners are all A/A rated with a host of features as standard. The quiet yet powerful units are extremely reliable offering real value for money solutions.

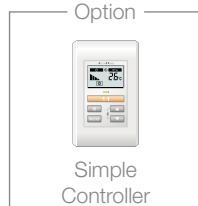
- Nominal cooling: 5.20kW to 8.00kW (3 models)
- All A/A rated energy efficiency
- Compact design
- Powerful operation
- Ultra-quiet

Option



Wired R.C.

Option



Simple
Controller

Specifications

	Indoor	ASYG18LFCA	ASYG24LFCC	ASYG30LFCA
	Outdoor	AOYG18LFC	AOYG24LFCC	AOYG30LFT
Nominal Capacity (kW)	Cooling	5.20 (0.90-6.00)	7.10 (0.90-8.00)	8.00 (2.90-9.00)
	Heating	6.30 (0.90-9.10)	8.00 (0.90-10.60)	8.80 (2.20-11.00)
UK Total / Sensible Cooling *		5.04 / 3.25	7.13 / 5.15	7.67 / 5.67
Power Consumption (kW)	Cooling	1.52	2.20	2.49
	Heating	1.71	2.21	2.44
EER / COP (Nominal Conditions)		3.42 / 3.68	3.23 / 3.61	3.21 / 3.61
Pdesign (kW) @ -10°C	Cooling	5.20	7.10	8.00
	Heating	5.90	7.10	8.00
SEER	Cooling	6.94	6.11	5.69
SCOP	Heating (Average)	3.87	3.80	3.80
Energy Efficiency Class	Cooling	A++	A++	A+
	Heating (Average)	A	A	A
Annual Energy Consumption (kWh/a)	Cooling	262	406	492
	Heating	2130	2610	2941
Moisture Removal	l/h	2.60	2.70	3.20
Dimensions (HxWxD) mm	Inner	320x998x238	320x998x238	320x998x238
	Outer	620x790x298	620x790x298	830x900x330
Net Weight (kg)	Inner	14	14	14
	Outer	41	41	61
Room Air Circulation (high) m3/h	Inner	900	1120	1100
	Outer	2150	2460	3600
Power Supply	V-PH-Hz	230 / 1 / 50	230 / 1 / 50	230 / 1 / 50
Power Supply To		Outdoor	Outdoor	Outdoor
Running Current (A)	Cooling	6.80	9.70	10.90
	Heating	7.60	9.70	10.70
Starting Current	A	7.60	9.70	10.90
Suggested MCB/Fuse	A	16	16	16
Interconnecting Cable		3 + E	3 + E	3 + E
Remote Control Type		Wireless	Wireless	Wireless
Sound Pressure (dB(A) Cooling)	Indoor Q/L/M/H	26 / 33 / 37 / 43	32 / 37 / 42 / 49	33 / 37 / 42 / 48
	Outdoor H	50	55	53
Sound Power (dB(A) Cooling)	Indoor H	58	64	64
	Outdoor H	65	68	68
Max Pipe Length	m	25	30	50
Max Height Difference	m	20	20	30
Refrigerant Charge	m	15	15	20
Additional Refrigerant Charge	g/m	20	20	40
Pipe Size (inches)	Gas	1/2 (12.8mm)	5/8 (15.88mm)	5/8 (15.88mm)
	Liquid	1/4 (6.35mm)	1/4 (6.35mm)	3/8 (9.52mm)
Operating Range °CDB	Cooling	-10 ~ 46	-10 ~ 46	-10 ~ 46
	Heating	-15 ~ 24	-15 ~ 24	-15 ~ 24
Refrigerant		R410A	R410A	R410A

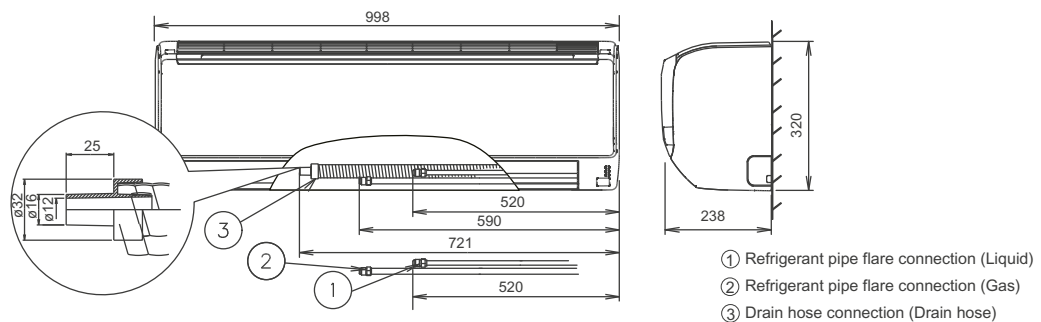
Optional Parts

Wired Remote Controller:	UTYRVNYM
Simple Remote Controller:	UTYRSNYM
External Connect Kit	UTYXWZX
Modus Interface	FJRCMBS1
KNX Interface	FJRCKNX1
WiFi Interface	FJRCWIF1

* UK Cooling: indoor temperature 23°CDB / 16°CWB and outdoor temperature 30°C

Dimensions Models : ASYG18LFCA / ASYG24LFCC / ASYG30LFCA

(Unit : mm)



- 1) Refrigerant pipe flare connection (Liquid)
- 2) Refrigerant pipe flare connection (Gas)
- 3) Drain hose connection (Drain hose)

The company reserves the right to make any variation in specification to the equipment described or to withdraw or replace products without prior notification or public announcement. All descriptions, illustrations, drawings and specifications in this publication present only general particulars and shall not form any part of any contract. All equipment and services are supplied subject to FG Eurofred's Terms and Conditions of Sale.

All prices shown exclude VAT.



ISO 9001
Certificate number: 02-020001
Fujitsu General (Thailand) Co., Ltd.

ISO 14001
Certificate number: 02-020001
Fujitsu General (Thailand) Co., Ltd.

ISO 9001
Certificate number: 02-020001
Fujitsu General (Thailand) Co., Ltd.

ISO 14001
Certificate number: 02-020001
Fujitsu General (Thailand) Co., Ltd.

Fujitsu air conditioning products are available from FG Eurofred and local distributors.

FUJITSU
AIR CONDITIONERS