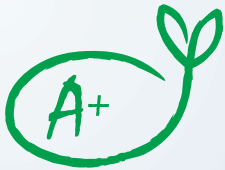


New Product Release !

Split Air Conditioner



ASYG36LMTA



Wireless R.C.

Option



UTY-RVNYM



UTY-RNRYZ1



UTY-RLRY



UTY-RSNYM

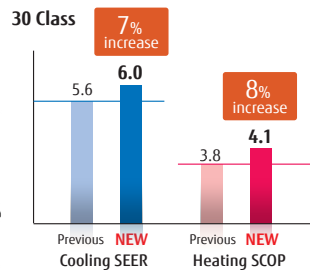


New 10kW wall mounted type for home and commercial use released!

Feature

High Energy Efficiency

Enlarged Heat Exchanger
Enlarged by
33%



Feature

Human Sensor

The sensor detects the movement of people in the room and optimises the power consumption of the unit by automatically adjusting the operating mode.



(Can be disabled for server rooms)

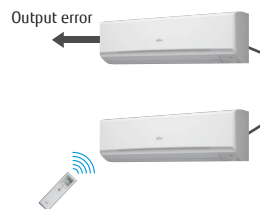
Feature

Server Room Function

1 Operation

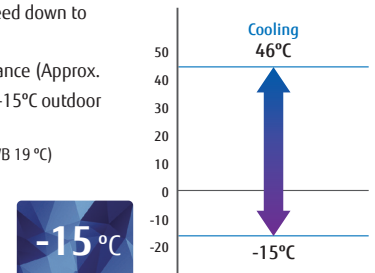
Cooling operation can be performed even in the low outdoor temperature and low humidity environment. In addition, the following interlock operation is possible by connecting two indoor units with a cable.

- **Rotating operation**
(Two units operate alternately)
- **Backup operation**
(In case one unit breaks down, the other unit starts operation automatically.)
- **Support operation**
(Both units operate simultaneously when the loaded capacity is not enough with one unit)



2 Low ambient operation

- Stable cooling operation is guaranteed down to -15°C outdoor temperature.
- Keep high sensible cooling performance (Approx. 75% capacity of rated condition) at -15°C outdoor temperature. (Room temperature condition: DB 27°C WB 19°C)
- Server room function can be set at site.



Feature

Other functions

1 Outdoor unit low noise mode

The reduction of noise at night can be set by remote controller.

2 50m long piping Length

Long piping length allow to extend to 50m to support installing indoor unit in center of building.

3 KNX / Modbus connection

Cooperation with external BMS is possible. (with option)

Optional parts

NEW

Wired Remote Controller (Touch panel (two wire)) : UTY-RNRYZ1 (£155) + UTY-TWRX (£75)
Corresponds to twelve languages.

(English, German, French, Spanish, Italian, Portuguese, Dutch, Polish, Greek, Russian, Turkish, Chinese)

Wired Remote Controller (High grade (three wire)) : UTY-RVNYM (£100) + UTY-XWNX (£16)

Wired Remote Controller (two wire) : UTY-RLRY (£120) + UTY-TWRX (£75)

Simple Remote Controller (three wire) : UTY-RSNYM (£80) + UTY-XWNX (£16)

External input and output PCB: UTY-XCSXZ1 (£82) + UTZ-GXXB (£27)

External Connect Kit: UTY-XWZX (£9)

Feature explanation



Human sensor : Human sensor detects the movement of people in the room and judges whether the energy saving operation.



Economy mode : Thermostat setting automatically changes according to the temperature to avoid unnecessary cooling and heating.



Powerful mode : Operation at maximum air flow and compressor speed, and quickly makes the room comfortable.



10°C HEAT operation : The room temperature can be set to go no lower than 10°C, thus ensuring that the room does not get too cold when not occupied.



Low noise mode : Sound noise level of outdoor unit can be selected.



Auto-changeover : The unit automatically switches between heating and cooling modes based on your temperature setting and the room temperature.



Double swing automatic : Complex swing action of flaps enables automatically to swing both horizontal and vertical directions.



Automatic fan speed : The micro-computer automatically adjusts the airflow effectively to follow the changes of room temperature.



Auto restart : In the event of a temporary power failure, the air conditioner will automatically restart in the same operating mode as before, once power supply is restored.



Sleep timer : The micro-computer gradually changes the room temperature automatically to afford a comfortable night's sleep.



Program timer : This digital timer allows selection of one of four options:
ON, OFF, ON → OFF or OFF → ON.

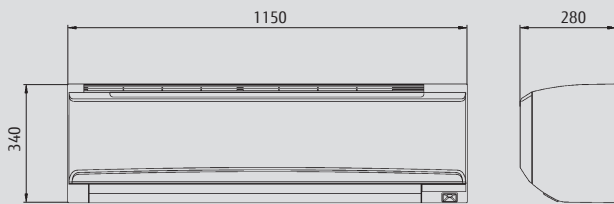


Weekly timer : Different ON-OFF times can be set for each day.

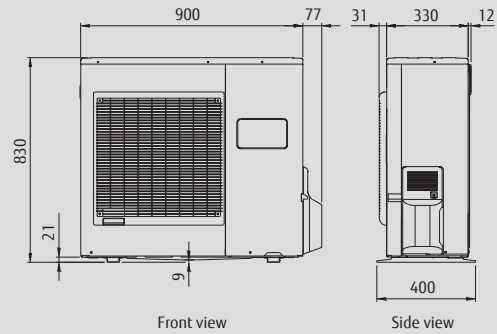
Dimensions

(Unit : mm)

Indoor unit :
ASYG36LMTA



Outdoor unit :
AOYG36LMTA



Specifications

Model No.	Indoor unit			ASYG36LMTA
	Outdoor unit			AOYG36LMTA
Power Source		V/Ø/Hz		230 / 1 / 50
Cooling	Capacity	Rated (Min - Max)	kW	9.4 (2.90 - 10.0) UK Total/Sens 9.0 / 6.63
	Input Power	Rated	kW	3.16
	Current	Max	A	19.0
	Pdesign c			9.4
	SEER			5.73
	Energy Rank			A+
Heating	Power Level	Indoor / Outdoor	dB(A)	65 / 68
	Capacity	Rated (Min - Max)	kW	10.1 (2.70 - 11.2)
	Input Power	Rated	kW	2.96
	Current	Max	A	19.0
	Pdesign h			6.8
	SCOP			4.19
Airflow rate (Indoor)		Indoor / Outdoor	dB(A)	65 / 70
		High	m ³ /h	1,400
	Net Dimension H x W x D	Indoor	mm	340 x 1150 x 280
Weight		Outdoor	mm	830 x 900 x 330
		Indoor / Outdoor	Kg	18 / 61
Pipe Diameter		Liquid / Gas	mm	9.52 / 15.88
Pipe Length	Chageless		m	20
	Maximum		m	50
	Height Difference		m	30
Operating Range (Outdoor)	Cooling/Heating	°C		-15~46 / -15~24
UK List Price				£2,154

Note

• Cooling/Heating capacities are based on the following conditions.

Cooling	Indoor temp. : 27°C DB/19°C WB Outdoor temp.: 35°C DB/24°C WB	Heating	Indoor temp. : 20°C DB Outdoor temp.: 7°C DB/6°C WB	Cooling UK	Indoor temp. : 23°C DB/16°C WB Outdoor temp.: 30°C DB
---------	--	---------	--	------------	--

- Performance test is in accordance with EN14511
- Seasonal efficiency test is on accordance with EN14825
- Sound power test is in accordance with EN12102



ISO 9001
Certified number: 01 100 89394

ISO 14001
Certified number: 01 104 5245/01

- Specifications and design are subject to change without notice for further improvement.
- Actual products' colors may be different from the colors shown in this printed material.

Distributed by :

FG EUROFRED LIMITED

Unit 150 Centennial Park, Centennial Avenue, Elstree, Herts. WD6 3SG
www.fgeurofred.co.uk

Tel: +44 (0)208 731 3450 Fax: +44 (0)208 731 3451

Copyright© 2015 Fujitsu General Limited. All rights reserved. 3EFNP9-1509E