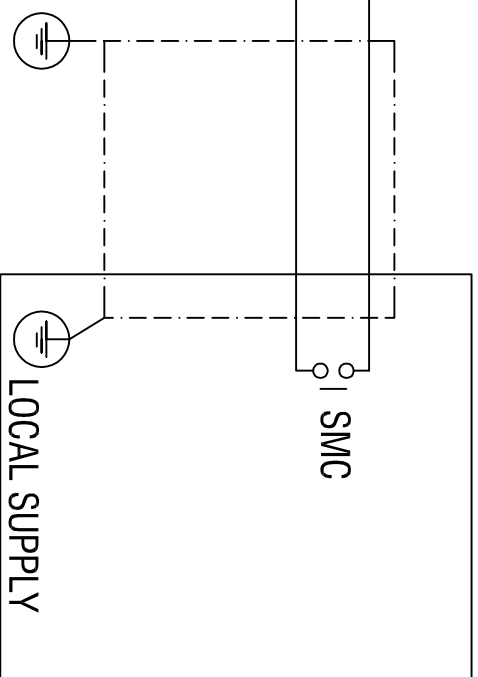
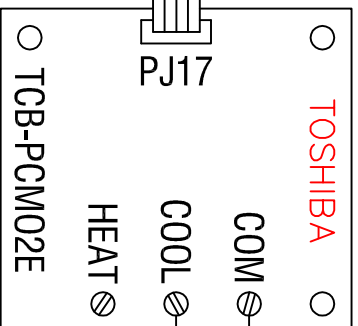
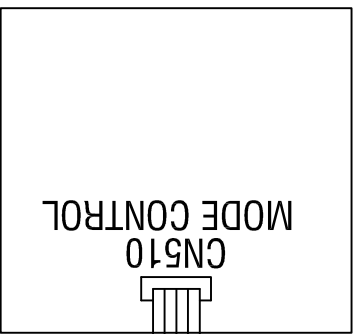


I/F P.C. BOARD\*



\*PLACE THIS OPTION PCB BOARD TO HEADER OUTDOOR UNIT

- NOTES**
1. IT IS THE RESPONSIBILITY OF THE CONSULTANT OR CONTRACTOR, TO CONFIRM THAT THE CONTROLS SELECTION IS CORRECT PRIOR TO INS ALLIANCE.
  2. DO NOT SCALE FROM THIS DRAWING, ALL DIMENSIONS SHOULD BE CHECKED ON SITE.
  3. THIS DRAWING IS FOR INDICATION ONLY.
  4. ALL CONTROLS COMPONENTS SHOULD BE FITTED INSIDE A SUITABLE ENCLOSURE.
  5. ALL CABLES MUST BE SIZED ACCORDING TO CURRENT WIRING REGULATIONS.

- LEGEND**
- L Live Wire on Indoor Unit
  - N Neutral Wire
  - L1, L2, L3 } 3 Phase Power Supply on Outdoor Unit
  - A, B } Remote Controller Connections
  - U1, U2 } System Network Connections
  - U3, U4 } Network Controller Connections
  - U5, U6 } Outdoor Network Connections

Project	-	Drawing Prepared For	-
Drawn By	COOL DESIGNS LTD	Title	STANDARD ELECTRICAL SCHEMATIC OPERATION MODE SELECTION CONTROL COOLING ONLY OPERATION ON 2 PIPE VRF
Scale	ATS	Date Drawn	21/05/07

**CDL**  
Cool Designs Ltd  
Unit 8  
North Hyton Enterprise Park  
Hepworth Road  
Sunderland, SR5 3JT  
Tel: 01915496964 Fax: 01915496969  
email: sales@cooldesignsLtd.co.uk