



CIAT - STELLA High-wall air conditioner

STELLA 24HV High-wall air conditioner

Features

- Infra-red controller as standard (wired available).
- Full Wi-Fi compatibility.
- Self-clean operation and built-in Ioniser.
- Louvre position memory.
- Drain port on both sides for easy installation.
- Refrigerant leakage detection display.



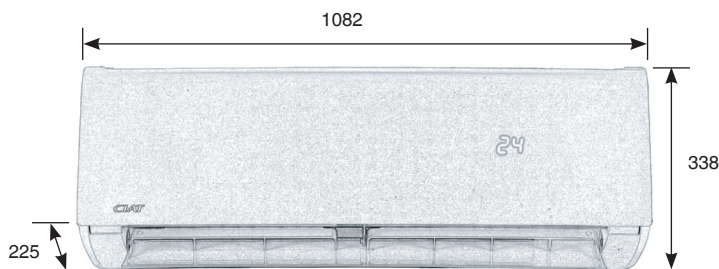
Technical Data

Model reference		STELLA - High-wall 24HV	
Indoor unit		42HV22VSC	
Outdoor unit		38HV24VSC	
Cooling capacity	Min./nom./max.	kW	1.40/6.40/6.70
Heating capacity*	Min./nom./max.	kW	1.50/7.00/7.30
	@ -7 °C	kW	4.50
	@ -10 °C	kW	4.40
	@ -15 °C	kW	4.20
SEER		W/W	7.1
SCOP	Warmer/average	W/W	4.8/4.0
Energy label	SEER		A++
	SCOP warmer/average		A++/A+
Rated current		A	18.0
Rated input		kW	4.10
Power supply		V/ph/Hz	220-240/1/50
Power to			Outdoor
Interconnecting			5
Refrigerant amount	R410A	kg	2.00
Liquid side - gas side		inch	3/8 - 5/8
Standard piping length	Min./max. piping length	m	3/40
	Max. height difference	m	20
	Additional charge	g/m	30
Indoor unit		42HV22VSC	
Sound power level**		dB(A)	63
Sound pressure level**	High/med./low/silence	dB(A)	47/42/38/26
Air flow	High/med./low/silence	m ³ /h	1150/890/770/420
Weight		kg	13.5
Dimension	W x D x H	mm	1082 x 225 x 338

* -7 °C/-10 °C/-15 °C heating at free frequency

** Sound data in cooling mode

Dimensional Drawings



Cool Designs Ltd

Raising the Standards in Air Conditioning Distribution

www.cdlweb.info





CIAT - STELLA High-wall air conditioner

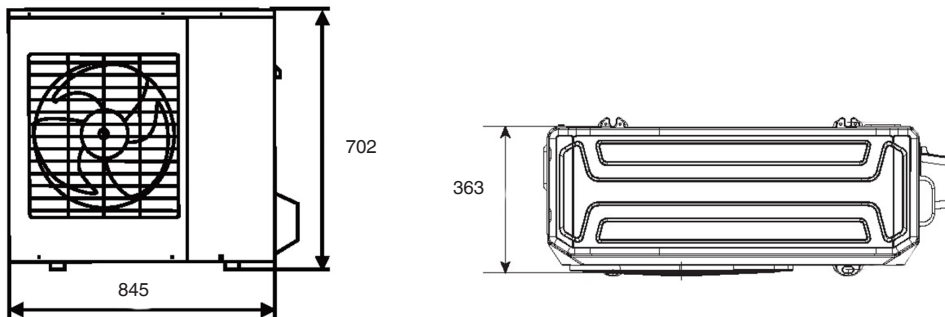
STELLA 24HV
High-wall air conditioner



Outdoor unit			38HV24VSC
Sound power level**		dB(A)	69
Sound pressure level**		dB(A)	58
Air flow		m ³ /h	2700
Weight		kg	44.0
Dimension	W x D x H	mm	845 x 363 x 702

** Sound data in cooling mode

Dimensional Drawings



Accessories	
Description	Part Number
Wired remote control for high-wall range - KJR-12- G1	7511629
Wi-Fi USB for hung wall range - WIFI USB	7511628

Split-system unit ratings are based on the following conditions:

Cooling capacities: Indoor air temperature 27°C (DB)/19°C (WB) - Outdoor air temperature 35°C (DB)/24°C (WB)

Heating capacities: Indoor air temperature 20°C (DB)/15°C (WB) - Outdoor air temperature 7°C (DB)/6°C (WB)

Cool Designs Ltd

Raising the Standards in Air Conditioning Distribution

www.cdlweb.info

