

Toshiba Air Conditioning - Controls Data Sheet

RBC-AMT32E Standard Remote Controller

Features

- Compatible with all R410A Digital/Super Digital Inverter and VRF systems*
- Energy-saving mode**
- Frost protection feature**
- Full control including service functions
- 7-day countdown/up timer (not scheduled)
- Built-in room temperature sensor
- External ventilation control
- Individual louvre control**
- Individual or group control of up to 8 units under simultaneous control

* Not compatible with DI Flexi.

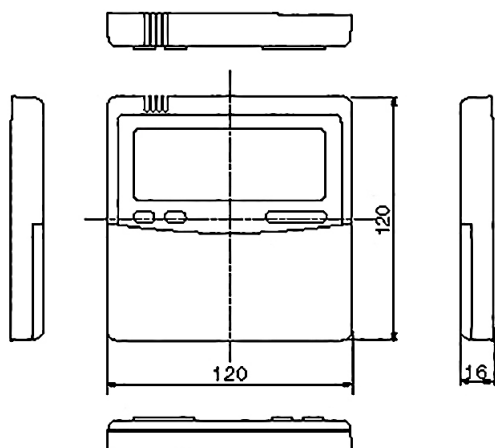
** Feature available on specific models and unit combinations.



Technical Data

Model reference	RBC-AMT32E	
Total dimensions (H x W x D)	mm	120 x 120 x 16
Electrical connection (low voltage)		Screw terminals
Functions	Setting	Monitor
On/Off	✓	✓
Mode	Auto, Heat, Cool, Dry, Fan Only	✓
Set point	18-29°C	✓
Fan speed	Auto, High, Medium, Low	✓
Louvre	Swing, Fix	✓
Filter display	Reset	✓
Fault code	Reset	Hexadecimal
Countdown timer	30 minutes - 168 hours	
Schedule timer	X	X

Dimensional Drawings



Cool Designs Ltd

Raising the Standards in Air Conditioning Distribution

www.cdlweb.info

