



# CIAT - SALSA Cassette air conditioner

## SALSA 48HVT Cassette air conditioner

### Features

- Infra-red controller as standard (wired available).
- Louvre position memory.
- Drain pump up to 750 mm.
- Full Wi-Fi compatibility.
- 360° air distribution.
- Fresh air intake and fan compatible.



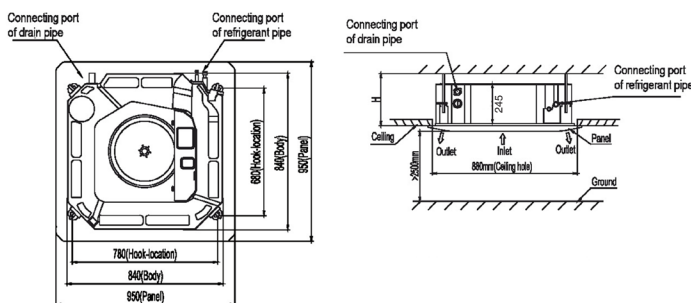
### Technical Data

Model reference		SALSA - Cassette 48HVT	
Indoor unit		42HK48VSC	
Indoor unit panel		40CAS-L9	
Outdoor unit		38HU48VTC	
Cooling capacity	Min./nom./max.	kW	4.80/13.40/14.00
Heating capacity*	Min./nom./max.	kW	5.40/15.50/16.00
	@ -7 °C	kW	10.50
	@ -10 °C	kW	10.00
	@ -15 °C	kW	8.50
SEER		W/W	5.6
SCOP	Warmer/average	W/W	4.0/5.1
Energy label	SEER		A+
	SCOP warmer/average		A+/A+++
Rated current		A	13
Rated input		kW	6.10
Power supply		V/ph/Hz	380-415/3/50
Power to			Both
Interconnecting			2
Refrigerant amount	R410A	kg	4.00
Liquid side - gas side		inch	3/8 - 5/8
	Min./max. piping length	m	3/50
	Max. height difference	m	25
Standard piping length		g/m	30
<b>Indoor unit</b>			<b>42HK48VSC</b>
Sound power level**		dB(A)	67
Sound pressure level**	High/med./low	dB(A)	51/49/47
Air flow	High/med./low	m <sup>3</sup> /h	1900/1600/1330
Weight	Body	kg	28/32,1
	Panel	kg	5.0/8.0
Dimension	Body W x D x H	mm	840 x 840 x 245
	Panel W x D x H	mm	950 x 950 x 55

\* -7 °C/-10 °C/-15 °C heating at free frequency

\*\* Sound data in cooling mode

### Dimensional Drawings



## Cool Designs Ltd

Raising the Standards in Air Conditioning Distribution

www.cdlweb.info





# CIAT - SALSA Cassette air conditioner

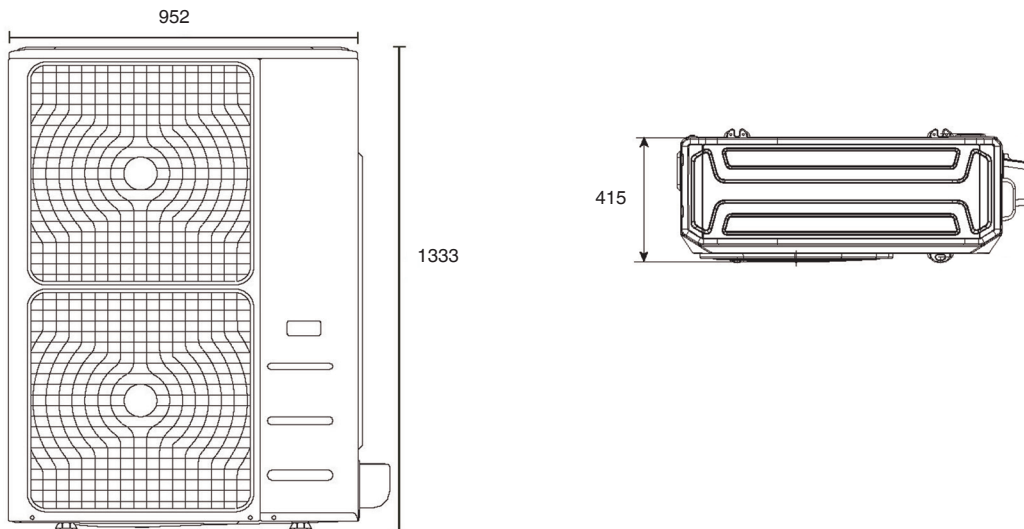
**SALSA 48HVT**  
Cassette air conditioner



<b>Outdoor unit</b>			<b>38HU48VTC</b>
Sound power level**		dB(A)	75
Sound pressure level**		dB(A)	64
Air flow		m <sup>3</sup> /h	6800
Weight		kg	108.1/121.2
Dimension	W x D x H	mm	952 x 415 x 1333

\*\* Sound data in cooling mode

## Dimensional Drawings



## Accessories

Description	Part Number
Wired remote control for LC range - KJR-12- G2	7511630
Centralised wired remote control for LC range connectable up to 64 units - CCM-30	7511631

Split-system unit ratings are based on the following conditions:

Cooling capacities: Indoor air temperature 27°C (DB)/19°C (WB) - Outdoor air temperature 35°C (DB)/24°C (WB)

Heating capacities: Indoor air temperature 20°C (DB)/15°C (WB) - Outdoor air temperature 7°C (DB)/6°C (WB)

## Cool Designs Ltd

Raising the Standards in Air Conditioning Distribution

[www.cdlweb.info](http://www.cdlweb.info)

